

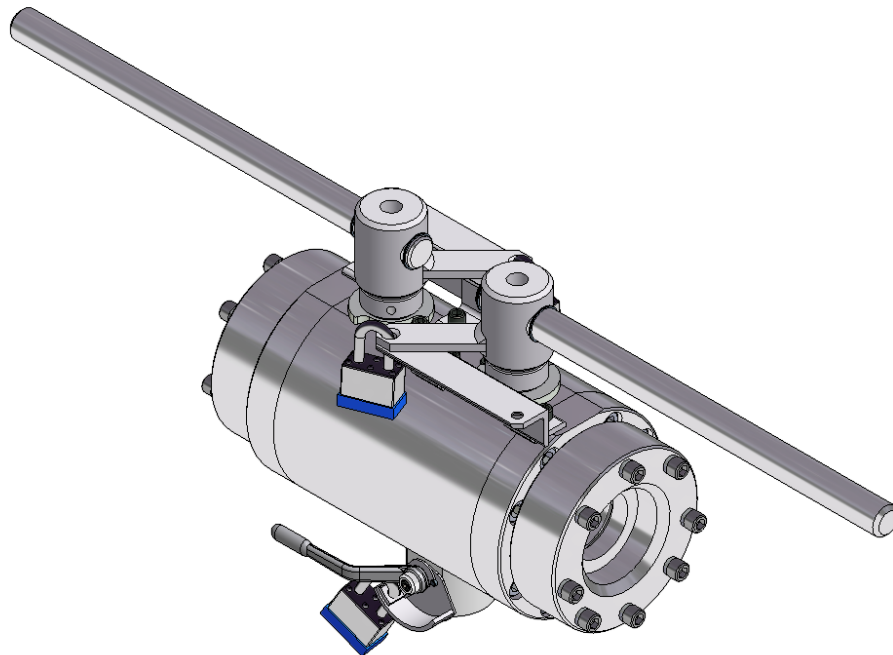


BVFD

Double Block and Bleed

- Inline valve that allows you to block pressure in either direction and drain either side. An exceptional advantage for systems running off a single power unit, allowing maintenance and upgrades without disturbing other components.
- Superior field proven design features full unrestricted bore, durability, and fast spare parts available from our factory.
- Large variety of flanges available.
- Standard Delrin ball seals & Buna-N elastomer seals. Other materials available for full fluid compatibility range.
- Wide variety of additional accessories available.
- Contact DMIC Sales for a dimensional drawing.

*Please note: From the closed position, these valves cannot be opened under pressure unless pressure balance option is installed.



Picture shown with available flanges and lock kits



BVFD DOUBLE BLOCK & BLEED

Ordering Codes Summary

For accessory codes



BVFD - ** FH FM OR DH DM - ** FK FL - 1 1 1 1 * * * *

Main Valve Size	
Code	Port Size
20	2"
25	2½"
30	3"
40	4"
50+	Call

Bleed Port Size	
Code	Port Size
05	½"
07	¾"
10	1"

Connection Type	
Code	Description
FL	SAE Code 61
FK	SAE Code 62

Body Material	
Code	Description
1	Carbon Steel
2	Stainless Steel

O-Rings	
Code	Description
1	Buna-N
2	EPR
3	Viton
5	Chemraz
6	Kalrez
7	Buna-3716 (Low Temp)

Seals, Bushings, Washers	
Code	Description
1	Delrin
4	High Temp Peek
6	Low Friction

Ball & Stem Mat'l	
Code	Description
1	Carbon Steel
2	316 Stainless Steel
6	416 Stainless Spindle 316 Stainless Ball

Connection Types				
Type	Code	Description	Max PSI	Use Flange (Sold Separately)
Std Code 61 or Code 62 SAE Mounting	FH	SAE C.62 Pattern	Dependent Upon SAE Pattern	Contact DMIC Sales
	FM	SAE C.61 Pattern		
Special DMIC Pattern for 3000 or 6000 PSI Rating	DH	Custom DMIC Pattern for 6000 PSI	Dependent Upon Bore Size/ Pipe Size	FDM-xxBy-11 BUTT WELD FLANGE
	DM	Custom DMIC Pattern for 3000 PSI		FDM-xxWy-11 SOCKET WELD FLANGE
				BKGB-xx-1111 BOLT KIT FOR BUTT WELD
				BKGW-xx-1111 BOLT KIT OF SOCKET WELD

All sizes can be made to ANSI or DIN pattern. FH or FM is for 2" ordering code. DH or DM is for 2½" and larger ordering codes.

For flange ordering: xx is the same as main bore size
y is the schedule pipe according to DMIC Weld/Flange ordering code

Note: Changes from Standard Materials result in changes to temperature and/or pressure rating.

Due to our policy of continual product improvement, the specifications in this catalog may change without notice. When designing by spec, please request a certified print.

