

BVFF FIXED FLANGE LARGE BORE

3000/6000 PSI – DM-Flange, ANSI, DIN

*Uses non-SAE high strength flanges for high working pressures ~ Sizes from 2½" to 6"
Standard with bolt-on DM-Flange, optional ANSI/DIN flange ~ Custom order to 12"+*

The BVFF family comprises aluminum, steel, and stainless steel versions, enabling DMIC to furnish large valves to any ANSI or DIN/ISO Flange standard. In return, this is a cost effective way of achieving the compatible connection, pressure rating, and sealing/material specification. Standard BVFF valves are equipped for either DMIC DM (3,000 PSI) or DH (6,000 PSI) flange connections. ANSI and DIN/ISO valves are pressure rated according to the class standard.

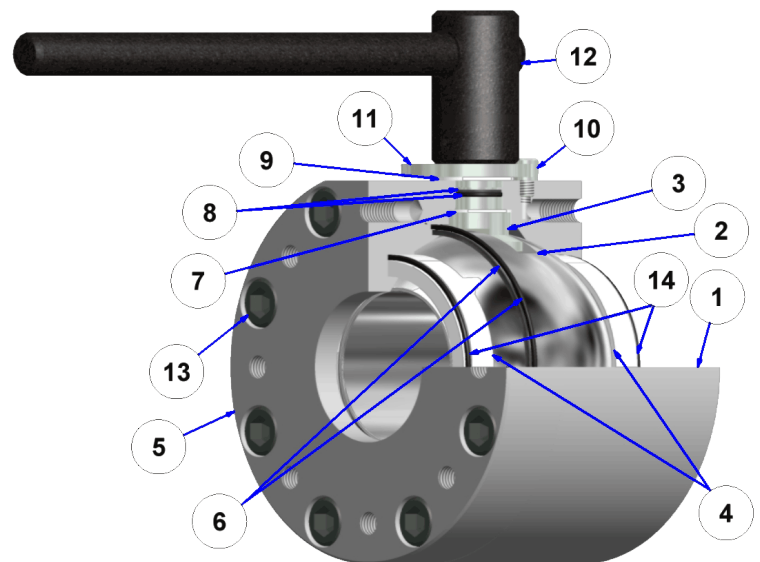


- **Superior Field Proven Design** features Large bore, durability, and fast spare parts available from our US factory
- Delrin™ Ball Seals and Buna-N elastomer seals standard. All DMIC sealing and valve material options available for wide fluid compatibility range.
- **Complete array of DMIC pre-engineered accessories** including lock kits, position sensing, and actuation compliment your project.
- These valves **cannot** be opened under pressure unless the pressure balance option is installed.

Service Parts BOM

BVFF		SERVICE PARTS BOM	
Index	Qty	Description	
1	1	Valve Body	
2	1	Ball	
3	1	Spindle	
4	2	Ball Seal	
5	1	End Connection	
6	1	End Connection O-Ring	
7	1	Internal Thrust Washer	
8	1	Spindle O-Rings	
9	1	External Glide Washer	
10	1	Stop Pin	
11	1	Stop Washer	
12	1	Handle	
13	*	End Connection Bolts	
14	2	Ball Seal O-Rings	

* - Quantity depends on size and combination of body



BVFF FIXED FLANGE LARGE BORE

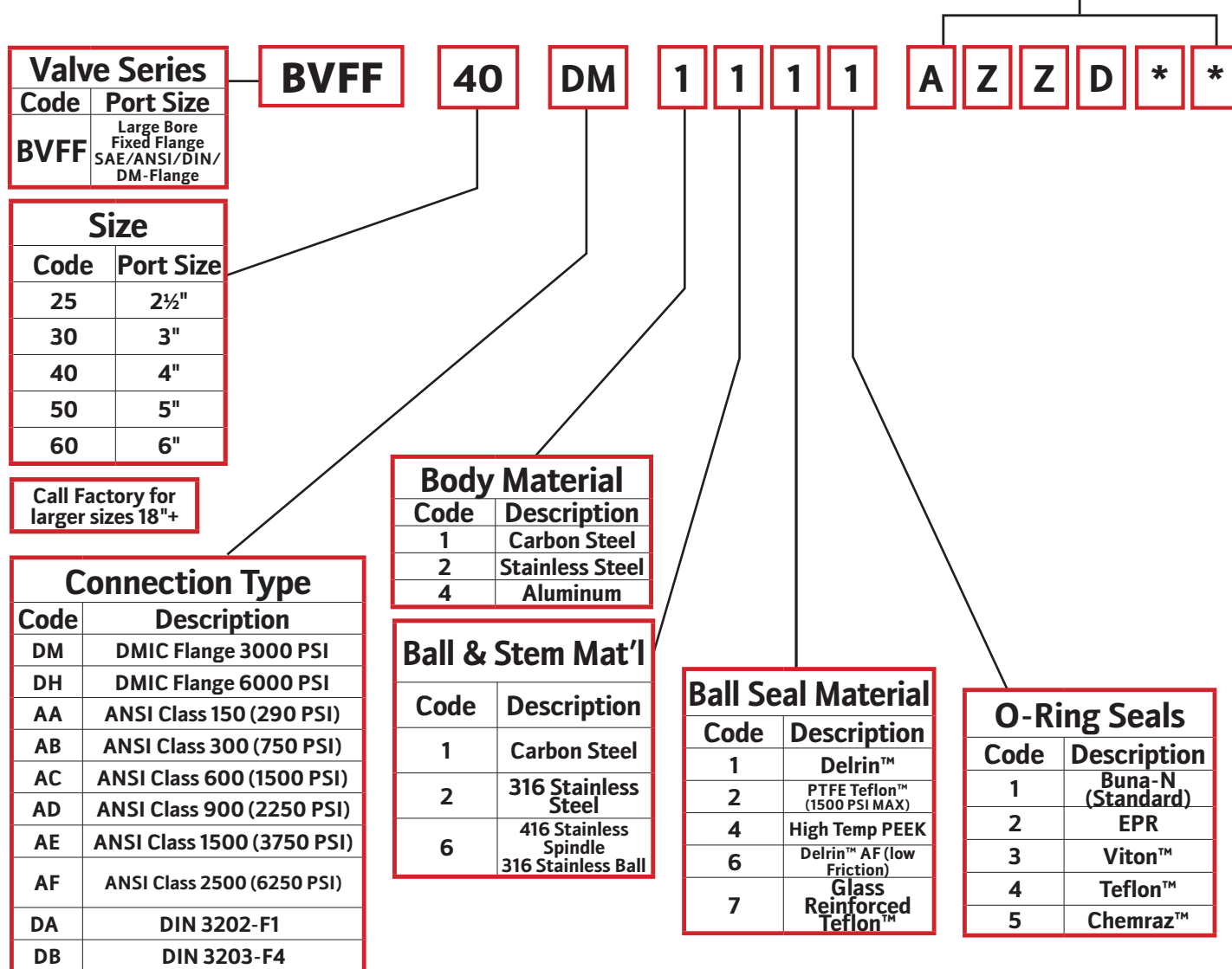
Specifying ANSI or DIN Flanges

DMIC's **BVFF** Ball Valve family is ideal for systems specifying ANSI or DIN flanged connections. Because our designs span three target pressure ranges, there is always a cost effective valve for your requirement. DMIC's flexible ordering system allows any flange standard to be applied to any valve sufficiently pressure rated. *When specifying ANSI or DIN Flange models, please request the latest dimensional print.*

Fixed Flange Valves larger than 6"

An emerging market for DMIC is the manufacture of very large valves for process, petrochemical, and pipeline installations. If your organization is open to possible substantial savings, consider partnering with DMIC on your next large scale project with sizes up to and beyond 18" made in our U.S. factory.

See page 14 for accessory codes



Note: Changes from Standard Materials may result in changes to temperature and/or pressure rating.

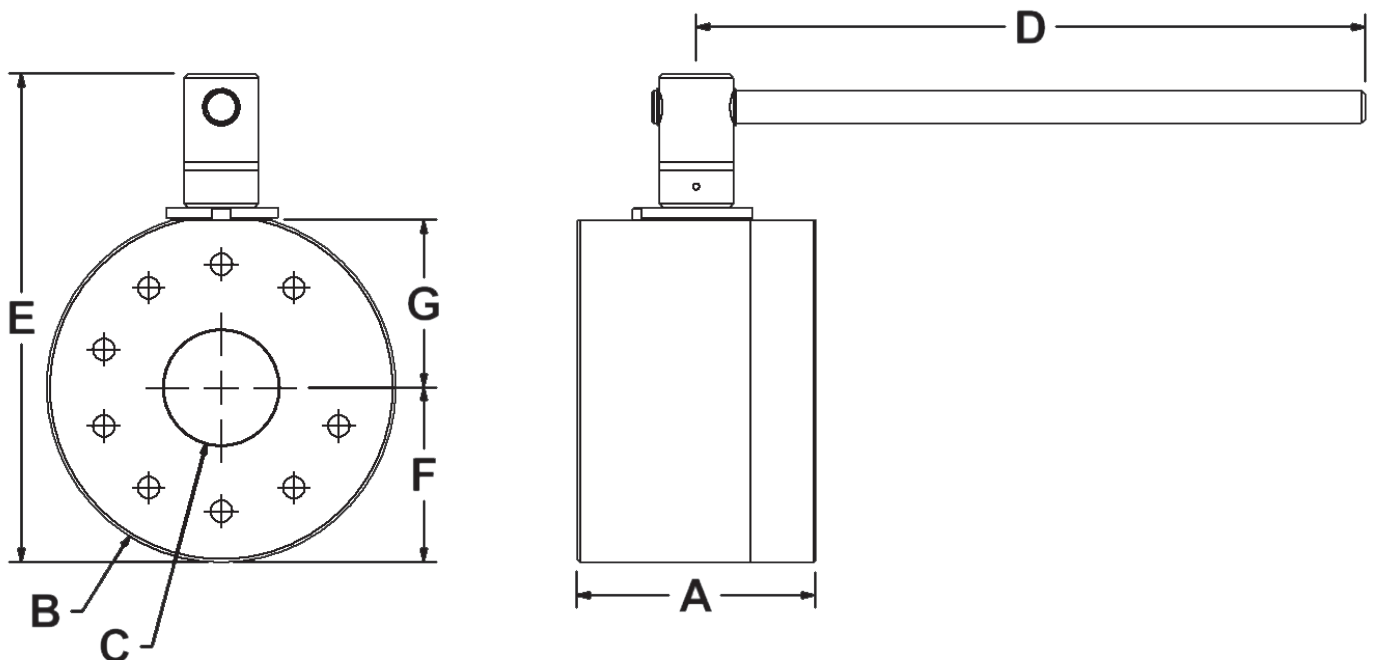
Due to our policy of continual product improvement, the specifications in this catalog may change without notice. When designing by spec, please request a certified print.



BVFF FIXED FLANGE LARGE BORE

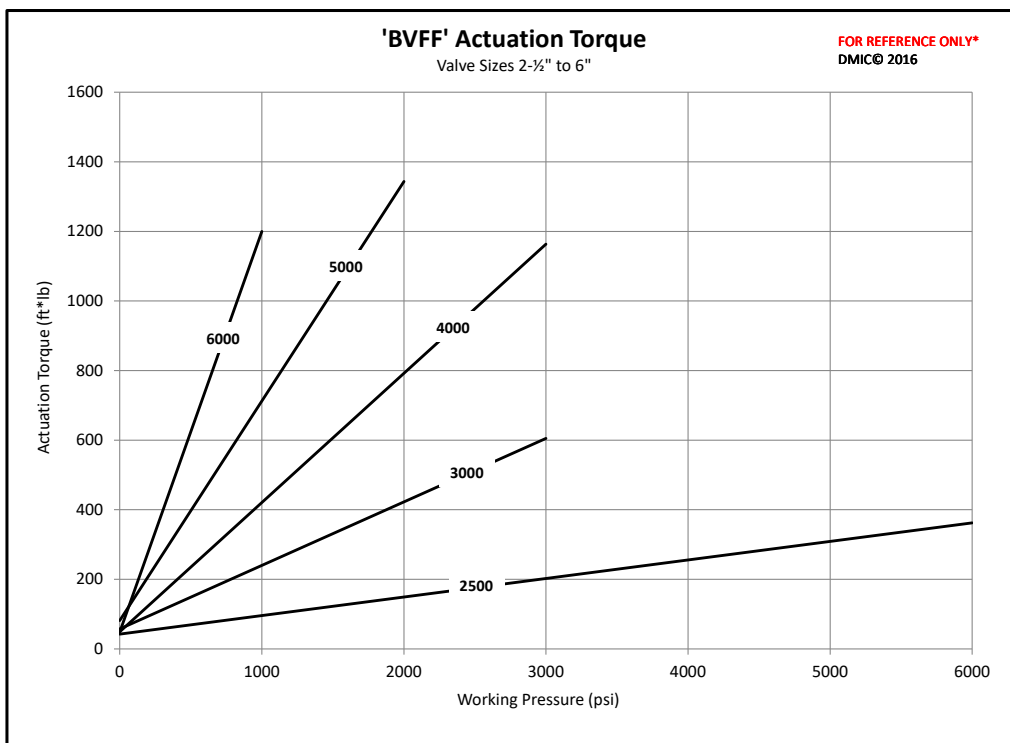
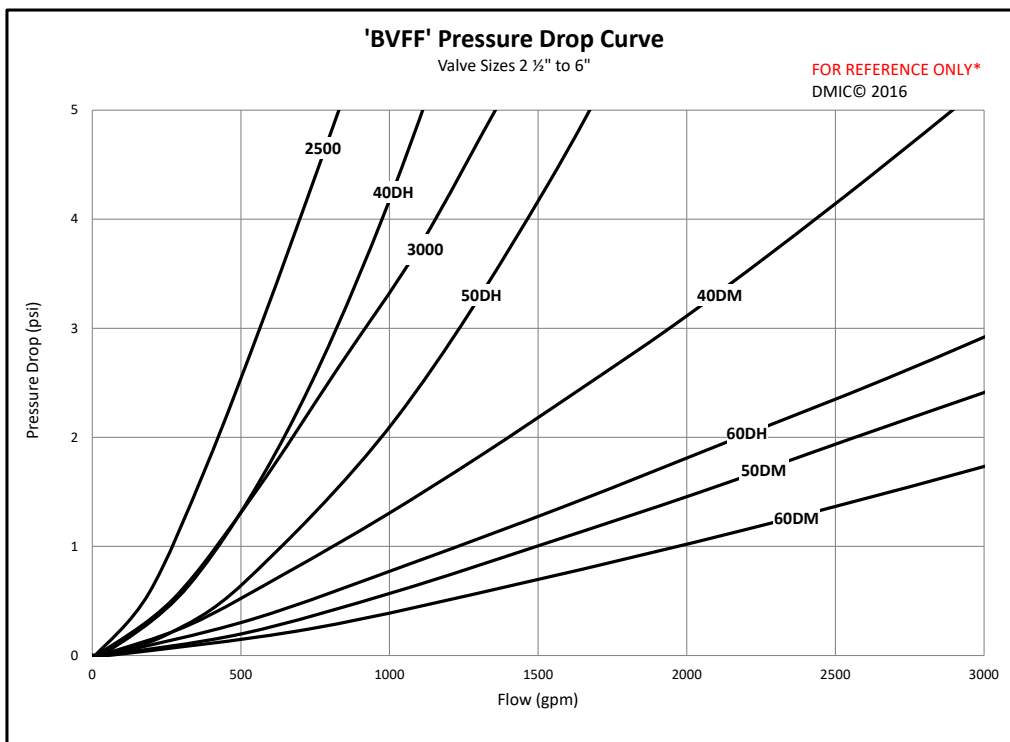
****NOTE:** Please replace ** in flange part number with W4=Sch. 40, W8=Sch. 80, WF=Sch. 160, WG=XXStrong for socket weld flanges. Butt Weld flanges are as follows: B4 = Sch. 40, B8 = Sch. 80, BF = Sch 160, BG = XXStrong.

BVFF	Port Size	Uses DMIC Flange	PSI Rating	Dimensions (inches)								
				A	ØB	ØC	D	E	F	G	H	J
				Overall Length	Valve Width	Valve Bore	Handle Length	Overall Height	PortCtr to Bot	PortCtr to Top	Mounting Bolt Circle Diameter	Mounting Holes
BVFF Fixed Flange, Round Body, DM Flange, 3000 PSI Rated												
BVFF-25DM	2½"	FDM-25**-11	3000 PSI	5.00	6.44	2.50	14.50	9.93	3.22	3.09	4.88	3/8" x 0.75 dp. Qty 8 per side
BVFF-30DM	3"	FDM-30**-11		5.89	7.44	3.00	14.50	10.90	3.72	3.55	6.00	½" x 1.13 dp. Qty 6 per side
BVFF-40DM	4"	FDM-40**-11		6.88	8.97	3.94	14.50	12.62	4.49	4.25	7.13	5/8" x 1.10 dp. Qty 8 per side
BVFF-50DM	5"	FDM-50**-11		9.00	10.88	5.00	20.00	15.58	5.44	5.75	8.25	¾" x 1.00 dp. Qty 8 per side
BVFF-60DM	6"	FDM-60**-11		10.62	12.94	5.88	20.00	17.00	6.47	6.53	10.63	7/8" x 1.60 dp. Qty 12 per side
BVFF Fixed Flange, Round Body, DH Flange, 6000 PSI Rated												
BVFF-25DH	2½"	FDH-25**-11	6000 PSI	5.00	7.44	2.50	14.50	10.75	3.72	3.40	5.53	5/8" x 1.10 dp. Qty 6 per side
BVFF-30DH	3"	FDH-30**-11		5.89	7.94	3.00	14.50	11.41	3.97	3.81	6.19	5/8" x 1.10 dp. Qty 8 per side
BVFF-40DH	4"	FDH-40**-11		7.13	10.44	3.44	14.50	14.11	5.22	5.00	7.38	¾" x 1.34 dp. Qty 9 per side
BVFF-50DH	5"	FDH-50**-11		10.25	12.94	4.31	20.00	16.97	6.47	6.50	9.38	7/8" x 1.75 dp. Qty 11 per side
BVFF-60DH	6"	FDH-60**-11		11.78	14.94	5.19	20.00	19.00	7.47	7.53	10.63	7/8" x 1.75 dp. Qty 11 per side



BVFF FIXED FLANGE LARGE BORE

Flow Characteristic and Actuation Torque Curves



Due to our policy of continual product improvement, the specifications in this catalog may change without notice. When designing by spec, please request a certified print.

