

BVHH SUPER HIGH PRESSURE 10,000 PSI

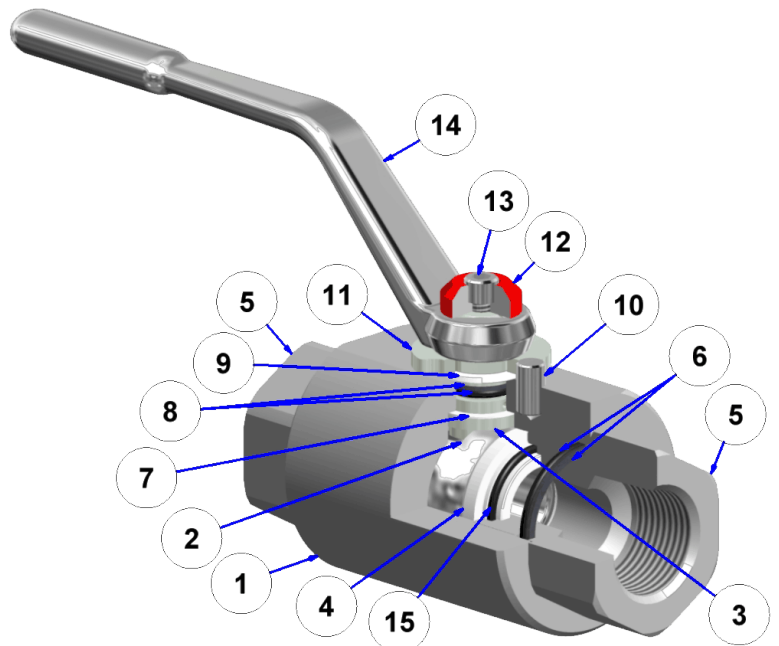
Next generation design substantially strengthened for durability and engineering factor ~ Sizes from ½" - 2"



- Special Ball Seals and heavy duty construction, superior to traditional ball seal ring reinforcement designs; Assures shutoff capability
- Accepts many standard DMIC Accessories and a selection of custom **BVHH** Valve Options
- Standard Buna-N sealing

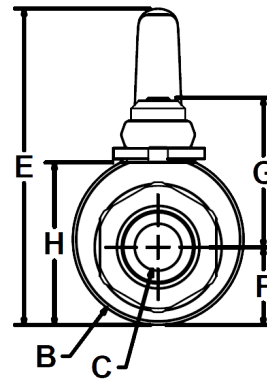
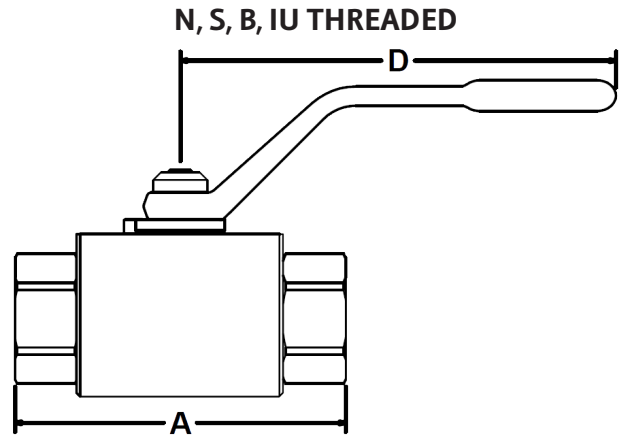
Service Parts BOM

BVHH	SERVICE PARTS BOM	
Index	Qty	Description
1	1	Valve Body
2	1	Ball
3	1	Spindle
4	2	Ball Seal
5	1	End Connection
6	1	End Connection O-Rings
7	1	Internal Thrust Washer
8	1	Spindle O-Rings
9	1	External Glide Washer
10	1	Stop Pin
11	1	Stop Washer
12	1	Color Coded Top Cap
13	1	Top Cap Screw
14	1	Handle
15	1	Ball Seal O-Rings

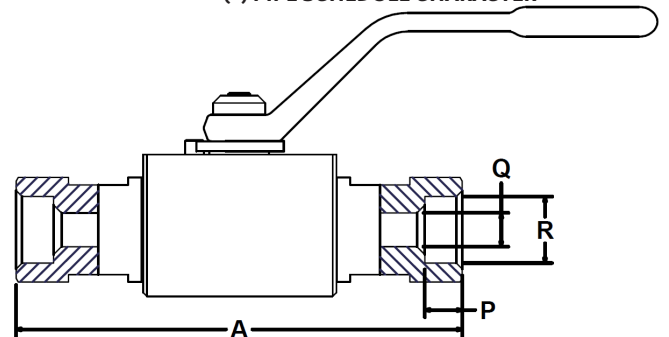


BVHH SUPER HIGH PRESSURE 10,000 PSI

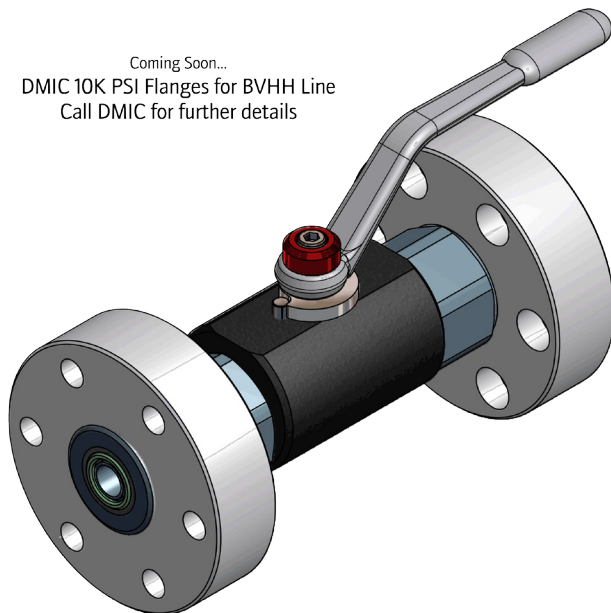
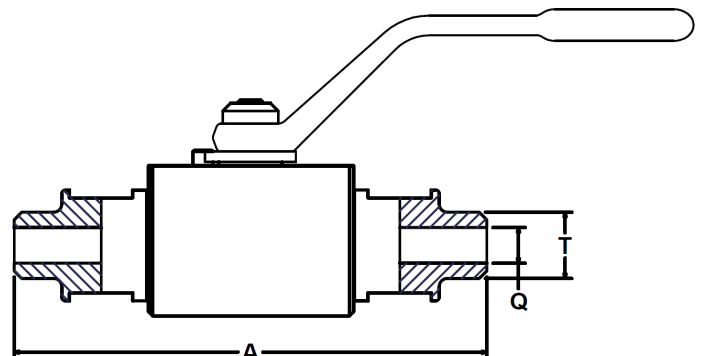
BVHH		Dependent Dimensions							
<i>Dimensions B,C,D,E,F,G,H are common dimensions</i>									
Threaded Connections									
Dimension (Inches)		A	B	C	D	E	F	G	H
Port Code(s)	Port Size	Overall Length	Body Diameter	Bore Size	Handle Length	Overall Height	Center to Valve Bot	Center to Valve top	Valve Height
N S B IU	½"	4.22	1.75	0.38	4.50	3.26	0.75	1.69	1.67
	¾"	4.72	2.5	0.56	7.00	4.84	1.11	2.29	2.37
	1"	5.32	2.75	0.75	7.00	5.08	1.25	2.40	2.61
	1¼"	6.20	3.50	0.90	9.86	6.52	1.54	3.10	3.32
	1½"	6.21	4.00	1.13	9.86	6.92	1.72	3.33	3.72
Threaded Connections	2"	7.34	5.00	1.50	9.86	7.99	2.50	3.62	4.79
Socket Weld End Connections									
Dimension (inches)		A	C	P	Q	R			
Port Code(s)	Port Size	Overall Length	Bore Size	Socket Depth	Connection Inside Diameter	Inside Socket, Outer Diameter			
W* SCH.X Socket Weld End Connections	½"	6.72	0.38	0.75	Based Upon Pipe Sch.	0.88			
	¾"	7.47	0.56	0.63		1.10			
	1"	8.25	0.75	0.98		1.35			
	1¼"	8.95	0.90	1.00		1.69			
	1½"	9.03	1.13	1.00		1.97			
	2"	11.41	1.50	1.00		2.42			
Butt Weld End Connections									
Dimension (inches)		A	C	Q	T				
Port Code(s)	Port Size	Overall Length	Bore Size	Connections Inside Dia.	Connection Outside Dia.				
WB* SCH.X Butt Weld End Connections	½"	6.22	0.38	Based Upon Pipe Sch.	0.84				
	¾"	7.47	0.56		1.05				
	1"	8.25	0.75		1.31				
	1¼"	8.95	0.90		1.66				
	1½"	9.03	1.13		1.91				
	2"	11.41	1.50		2.38				



W(*) FIXED SOCKET WELD
(* PIPE SCHEDULE CHARACTER)



WB(*) FIXED BUTT WELD
(* PIPE SCHEDULE CHARACTER)

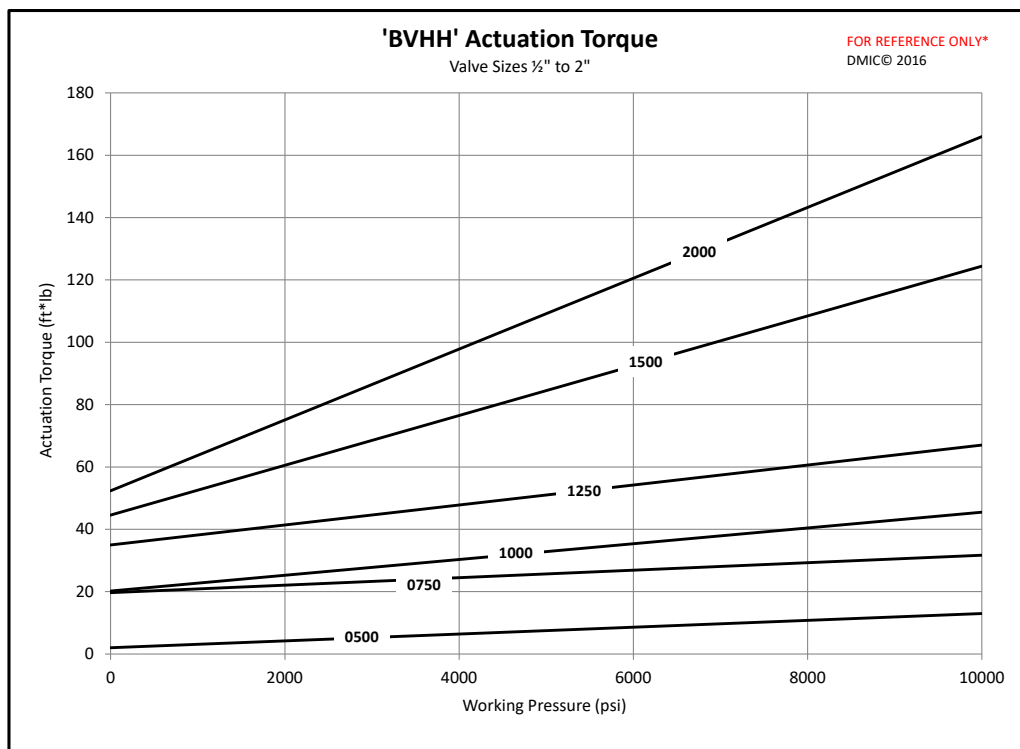
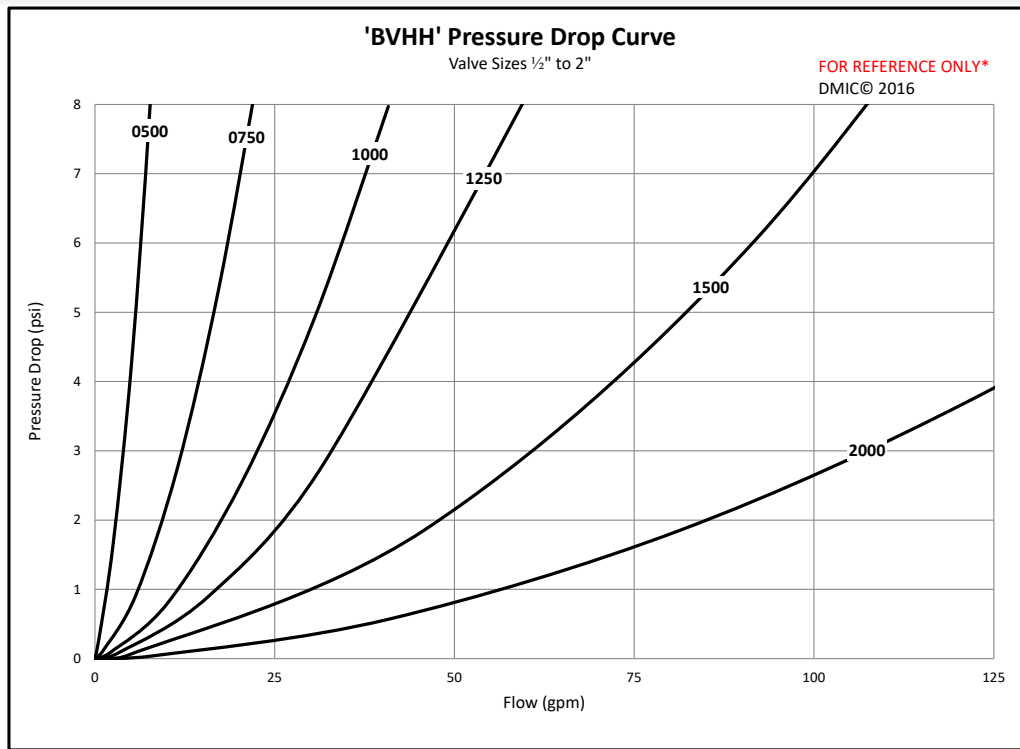


Coming Soon...
DMIC 10K PSI Flanges for BVHH Line
Call DMIC for further details



BVHH SUPER HIGH PRESSURE 10,000 PSI

Flow Characteristic and Actuation Torque Curves



Due to our policy of continual product improvement, the specifications in this catalog may change without notice. When designing by spec, please request a certified print.

