

BVHHH ULTIMATE PRESSURE 15,000 PSI

DMIC'S 15,000 PSI Floating Ball Valve, ¼" to 2" Extreme Pressure Handling, Generous Engineering Factor

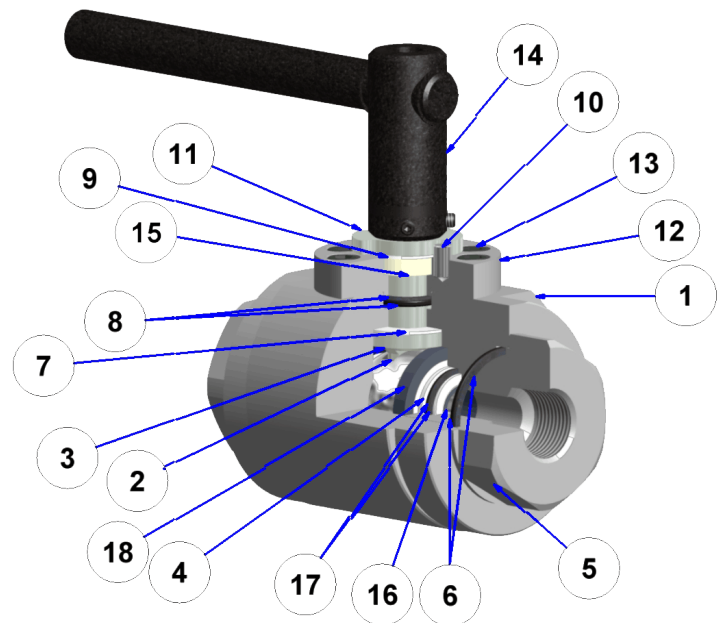


- Max Allowable working pressure up to 15,000 PSI with 3:1 engineering factor
- Special reinforcements prevent collapse of ball seals ensuring that most of DMIC's ball seal materials can be used
- Designed with DMIC's standard blowout-proof stem.
- Compatible with DMIC's wide array of accessories
- Call DMIC for application support or to place order

Service Parts BOM

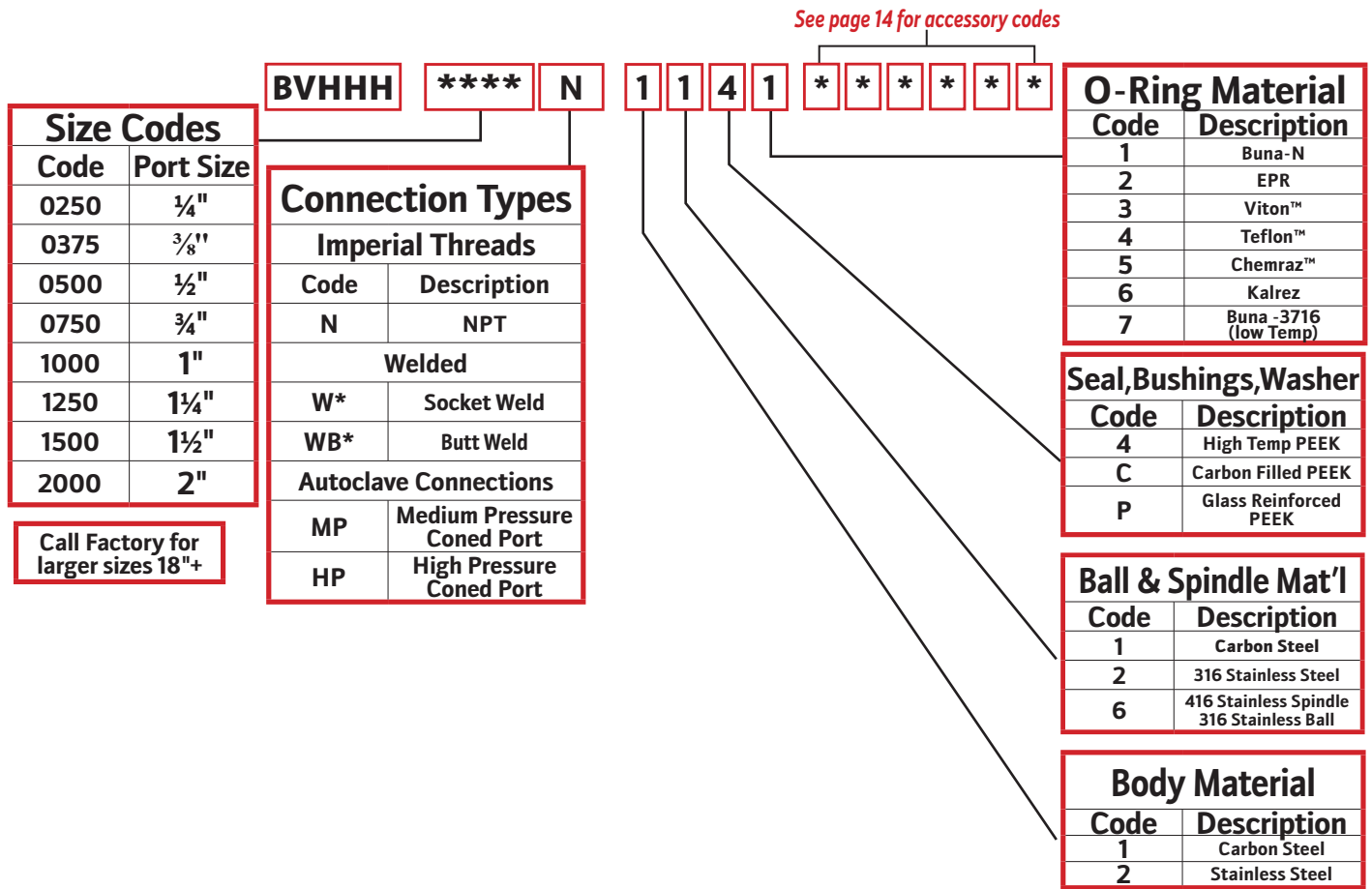
BVHHH SERVICE PARTS BOM		
Index	Qty	Description
1	1	Valve Body
2	1	Ball
3	1	Spindle
4	2	Ball Seal
5	2	End Connection
6	2	End Connection O-Rings
7	1	Internal Thrust Washer
8	1	Spindle O-Rings
9	1	External Glide Washer
10	1	Stop Pin
11	1	Stop Washer
12	1	Top Cap
13	*	Top Cap Bolts
14	1	Handle
15	1	Spindle Busing
16	2	Inner Seal Support
17	2	Ball Seal O-Rings
18	2	Outer Seal Support

* - Quantity depends on size and combination of body



BVHHH ULTIMATE PRESSURE 15,000 PSI

Ordering Codes Summary

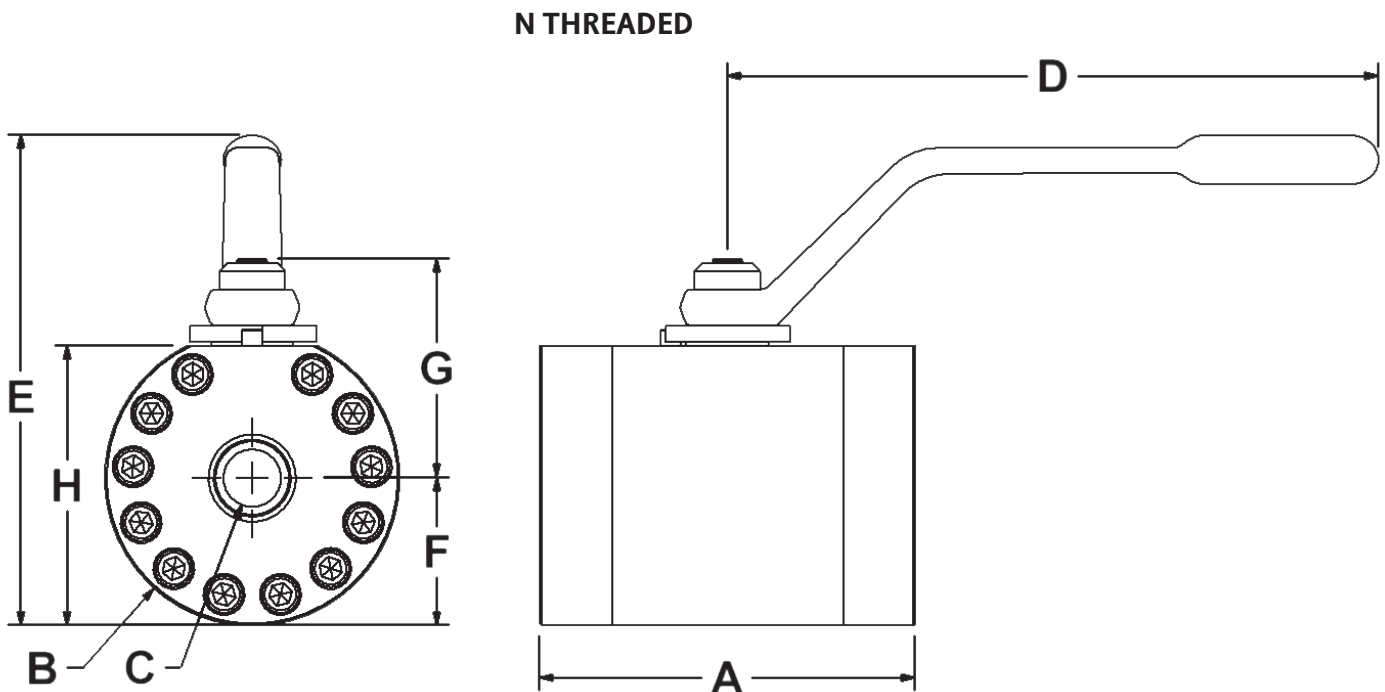


Note: Changes from Standard Materials may result in changes to temperature and/or pressure rating.



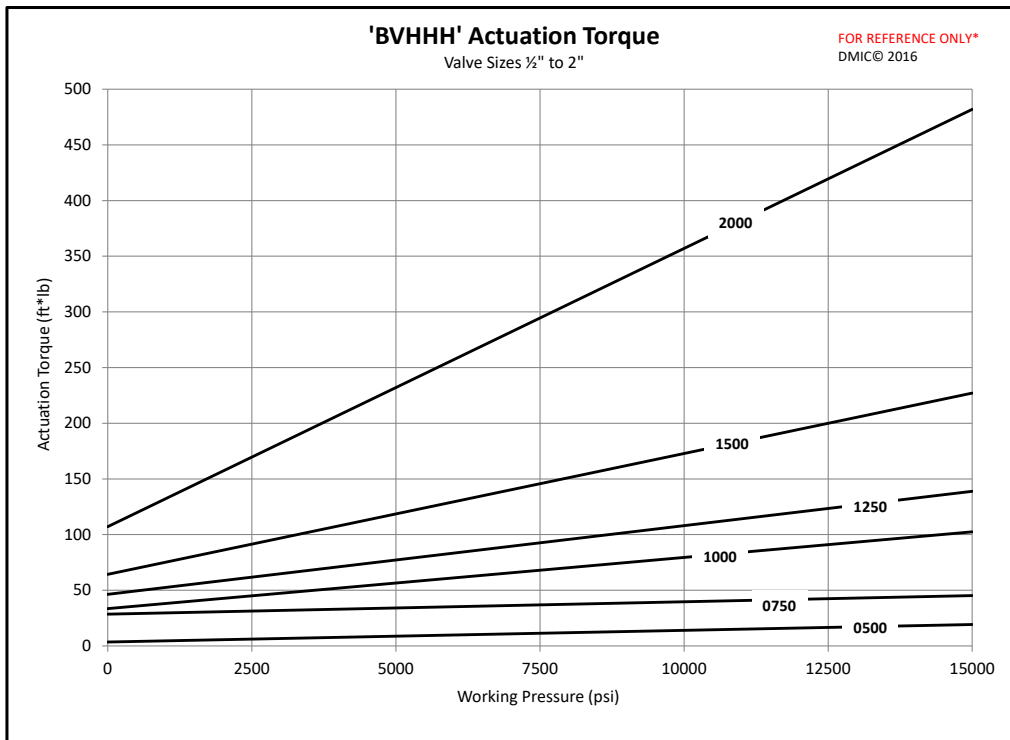
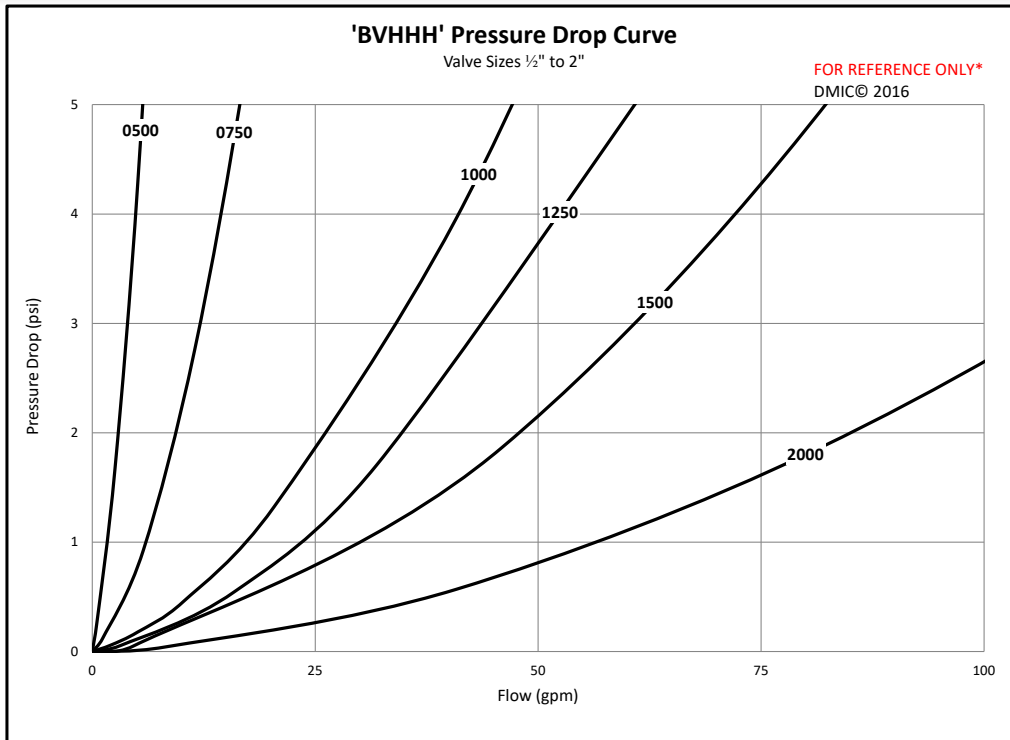
BVHHH ULTIMATE PRESSURE 15,000 PSI

BVHHH	Ball Valve Dimensions (Threaded Connections Only)								
Port Code	Port Size	Valve Dimensions (in)							
		Valve Length A	Body Diameter B	Internal Bore C	Handle Length D	Overall Height E	Bottom to Center F	Center to Mounting Pad G	Bottom to Cap H
N Threaded Connection	½"	3.83	2.95	0.38	7.00	5.18	1.48	2.27	2.71
	¾"	Please Call DMIC At 1-800-248-DMIC							
	1"	5.69	4.47	0.88	9.86	7.43	2.24	3.32	4.24
	1¼"	Please Call DMIC At 1-800-248-DMIC							
	1½"								
	2"	8.25	7.20	1.50	12.00	10.26	3.60	4.96	6.86



BVHHH ULTIMATE PRESSURE 15,000 PSI

Flow Characteristic and Actuation Torque Curves



Due to our policy of continual product improvement, the specifications in this catalog may change without notice. When designing by spec, please request a certified print.

