

# BVLS ACTUATED

**1000 PSI MAX; NPT/SAE/BSPP ; PTFE Ball Seals**  
*¼" to 2" size*

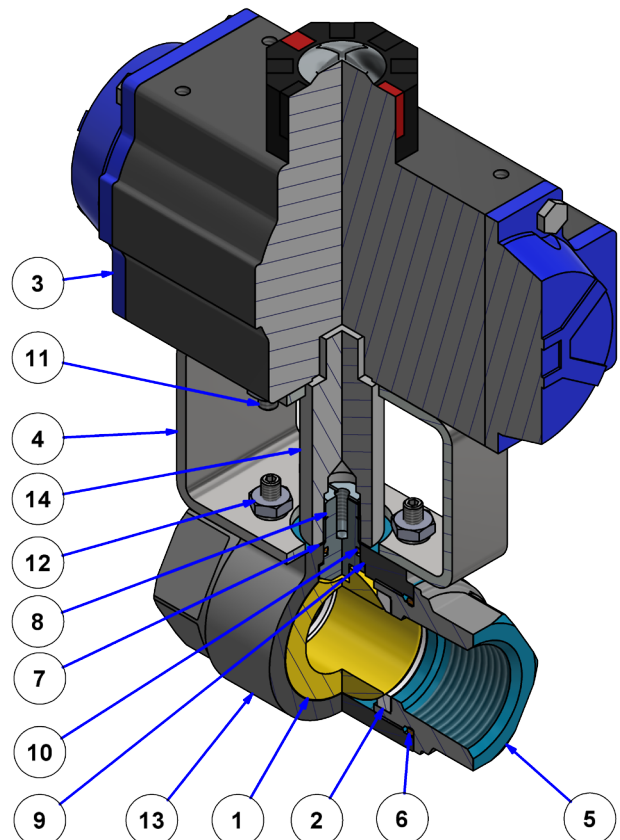
DMIC's BVLS Series provide a cost effective, durable, high quality ball valve solution for 1000 psi systems.



- 1000 psi MAWP for Water, Oil and Gas (WOG).
- Designed for temperature -20 to 400°F [-29 to 204°C].
- All stainless steel construction.
- NACE MR0175 Compliant.
- CRN approval for all Canadian Provinces.
- Low friction seals for low actuation torque.
- Standard actuation and panel mounting provisions provided.
- Fire safe versions available.
- Meets API 6D and API 598 pressure tests.
- Standard Double Acting & Spring Return Actuators.

## Valve Cutaway View & Service Parts BOM

| BVLS Index | Qty | SERVICE PARTS BOM Description |
|------------|-----|-------------------------------|
| 1          | 1   | Ball                          |
| 2          | 2   | Ball Seal                     |
| 3          | 1   | Actuator                      |
| 4          | 1   | Actuator Bracket              |
| 5          | 1   | End Connection                |
| 6          | 1   | End Connection O-Ring         |
| 7          | 1   | External Glide Washer         |
| 8          | 1   | Valve Spindle                 |
| 9          | 1   | Internal Thrust Washer        |
| 10         | 1   | Spindle O-Ring                |
| 11         | 4   | Actuator Hardware             |
| 12         | 4   | Valve Hardware                |
| 13         | 1   | Valve Body                    |
| 14         | 1   | Actuator Shaft                |



# BVLS ACTUATED

## Ordering Codes Summary

**BVLS \*\* \*\*\*\* S 2 2 2 3**

| Actuator Callout |                        |
|------------------|------------------------|
| Code             | Description            |
| DA               | Double Acting          |
| SR               | Spring Return (closed) |

| Size Codes |           |
|------------|-----------|
| Code       | Port Size |
| 0250       | ¼"        |
| 0375       | ⅜"        |
| 0500       | ½"        |
| 0750       | ¾"        |
| 1000       | 1"        |
| 1250       | 1¼"       |
| 1500       | 1½"       |
| 2000       | 2"        |

| Connection Types |             |
|------------------|-------------|
| Imperial Threads |             |
| Code             | Description |
| S                | SAE ORB     |
| N                | NPT         |
| Metric Threads   |             |
| B                | BSPP        |

| Body Material |               |
|---------------|---------------|
| Code          | Description   |
| 2             | 316 Stainless |

| Ball & Spindle Mat'l |               |
|----------------------|---------------|
| Code                 | Description   |
| 2                    | 316 Stainless |

| Seals, Bushings, Washers |                                       |
|--------------------------|---------------------------------------|
| Code                     | Description                           |
| 2                        | PTFE Teflon™ - ¼" - ¾" Standard       |
| 7                        | Glass filled PTFE - 1" - 1½" Standard |
| D                        | Devlon - 2" Standard                  |

| O-Ring Material |                   |
|-----------------|-------------------|
| Code            | Description       |
| 3               | Viton™ (Standard) |

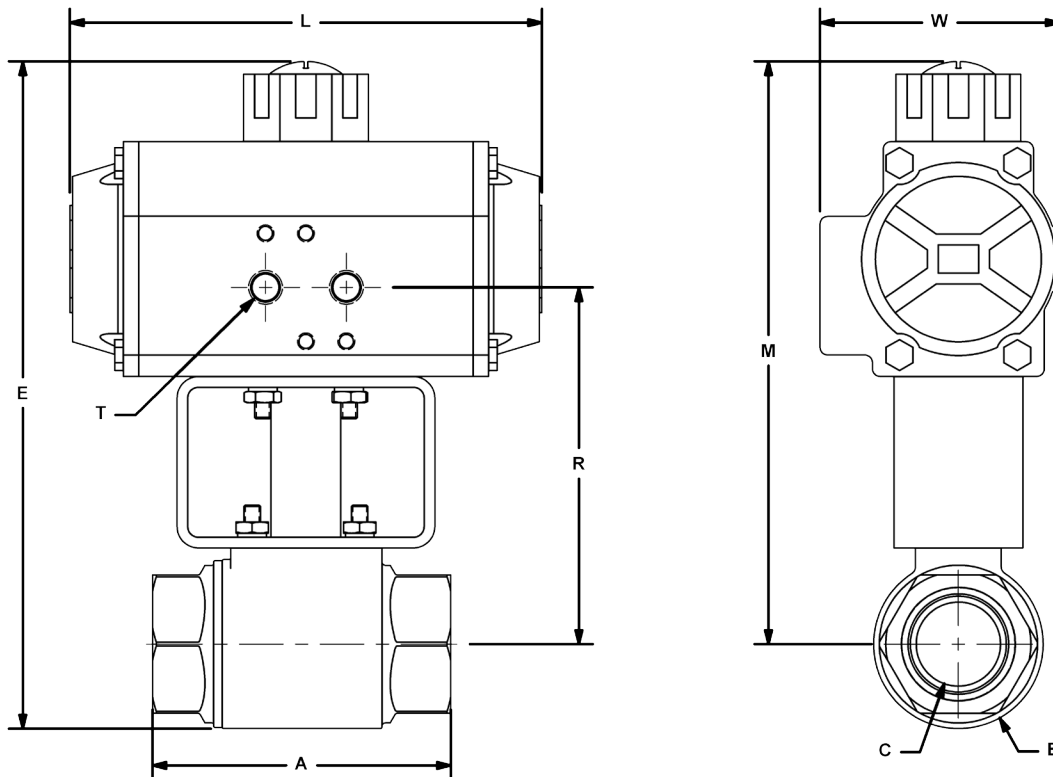
**Note:** Changes from Standard Materials may result in changes to temperature and/or pressure rating. Due to our policy of continual product improvement, the specifications in this catalog may change without notice. When designing by spec, please request a certified print.



# BVLS ACTUATED

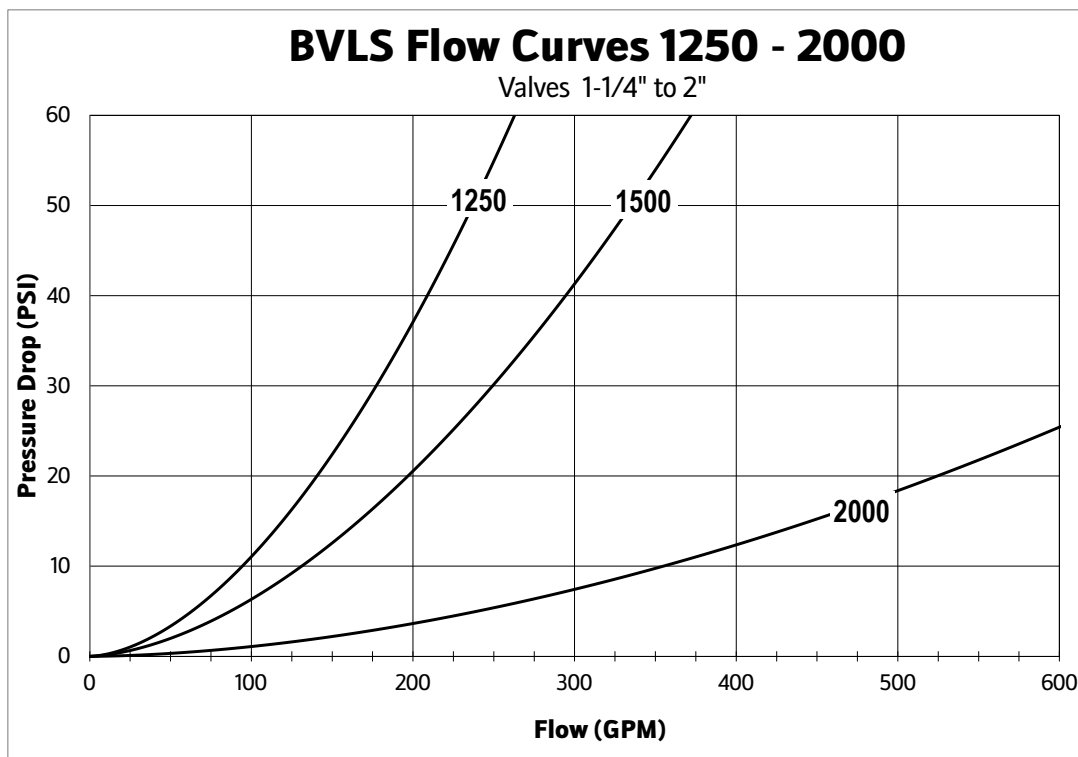
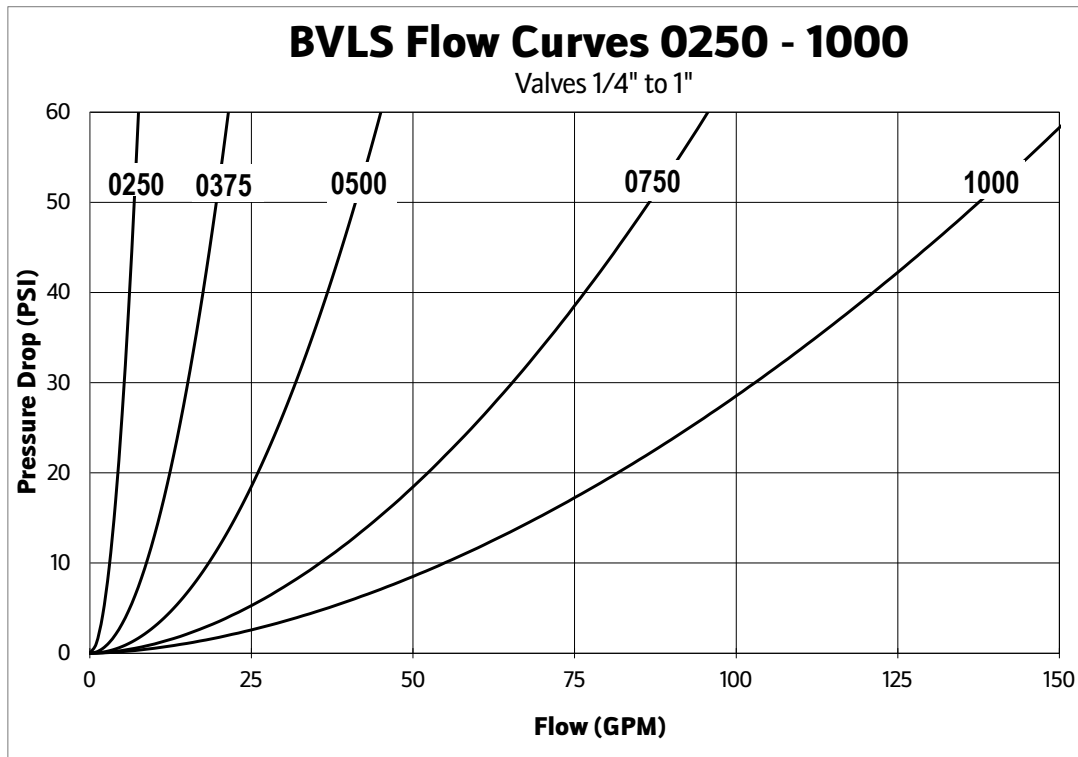
| BVLS Double Acting Actuator | Port Size | Dimensions |                   |            |                  |                   |                      |                      |        |                  | Max Actuator Torque @ 90 PSI Air in-lbs |
|-----------------------------|-----------|------------|-------------------|------------|------------------|-------------------|----------------------|----------------------|--------|------------------|---|
|                             |           | A Length   | B Valve Body O.D. | C Bore DIA | E Overall Height | L Actuator Length | M Line Center To Top | R Line Center To Air | T Air  | W Actuator Width |   |
| BVLSDA0250                  | ¼"        | 2.63       | 1.40              | 0.43       | 6.28             | 4.65              | 5.58                 | 3.28                 | ⅝" NPT | 1.78             | 82                                      |
| BVLSDA0375                  | ⅜"        | 2.63       | 1.40              | 0.50       | 6.28             | 4.65              | 5.58                 | 3.28                 | ⅝" NPT | 1.78             | 82                                      |
| BVLSDA0500                  | ½"        | 2.63       | 1.40              | 0.55       | 6.28             | 4.65              | 5.58                 | 3.28                 | ⅝" NPT | 1.78             | 82                                      |
| BVLSDA0750                  | ¾"        | 3.27       | 1.71              | 0.75       | 6.56             | 4.65              | 5.70                 | 3.41                 | ⅝" NPT | 1.78             | 82                                      |
| BVLSDA1000                  | 1"        | 3.47       | 1.97              | 0.98       | 6.81             | 4.65              | 5.83                 | 3.53                 | ⅝" NPT | 1.78             | 82                                      |
| BVLSDA1250                  | 1¼"       | 3.90       | 2.65              | 1.25       | 8.90             | 6.38              | 7.58                 | 4.56                 | ⅝" NPT | 3.17             | 363                                     |
| BVLSDA1500                  | 1½"       | 4.32       | 3.23              | 1.50       | 9.43             | 6.38              | 7.82                 | 4.79                 | ⅝" NPT | 3.17             | 363                                     |
| BVLSDA2000                  | 2"        | 4.90       | 3.84              | 1.97       | 11.14            | 9.35              | 9.21                 | 5.66                 | ⅝" NPT | 4.17             | 962                                     |

| BVLS Spring Return Actuator | Port Size | Dimensions |                   |            |                  |                   |                      |                      |        |                  | Max Actuator Torque @ 90 PSI Air in-lbs |
|-----------------------------|-----------|------------|-------------------|------------|------------------|-------------------|----------------------|----------------------|--------|------------------|---|
|                             |           | A Length   | B Valve Body O.D. | C Bore DIA | E Overall Height | L Actuator Length | M Line Center To Top | R Line Center To Air | T Air  | W Actuator Width |   |
| BVLSSR0250                  | ¼"        | 2.63       | 1.40              | 0.43       | 7.25             | 5.49              | 6.55                 | 3.90                 | ⅝" NPT | 2.79             | 150                                     |
| BVLSSR0375                  | ⅜"        | 2.63       | 1.40              | 0.50       | 7.25             | 5.49              | 6.55                 | 3.90                 | ⅝" NPT | 2.79             | 150                                     |
| BVLSSR0500                  | ½"        | 2.63       | 1.40              | 0.55       | 7.25             | 5.49              | 6.55                 | 3.90                 | ⅝" NPT | 2.79             | 150                                     |
| BVLSSR0750                  | ¾"        | 3.27       | 1.71              | 0.75       | 7.53             | 5.49              | 6.68                 | 4.03                 | ⅝" NPT | 2.79             | 150                                     |
| BVLSSR1000                  | 1"        | 3.47       | 1.97              | 0.98       | 7.78             | 5.49              | 6.80                 | 4.16                 | ⅝" NPT | 2.79             | 150                                     |
| BVLSSR1250                  | 1¼"       | 3.90       | 2.65              | 1.25       | 9.55             | 6.38              | 8.23                 | 4.85                 | ⅝" NPT | 3.72             | 473                                     |
| BVLSSR1500                  | 1½"       | 4.32       | 3.23              | 1.50       | 10.08            | 8.15              | 8.47                 | 5.09                 | ⅝" NPT | 3.72             | 473                                     |
| BVLSSR2000                  | 2"        | 4.90       | 3.84              | 1.97       | 11.65            | 10.69             | 9.72                 | 5.98                 | ¼" NPT | 4.85             | 1075                                    |



# BVLS ACTUATED

## Flow Characteristic and Actuation Torque Curves



*Due to our policy of continual product improvement, the specifications in this catalog may change without notice. When designing by spec, please request a certified print.*

