

# DC MOTOR FAN DRIVEN PRODUCTS

## HEAT EXCHANGERS

*S & SBV SERIES*

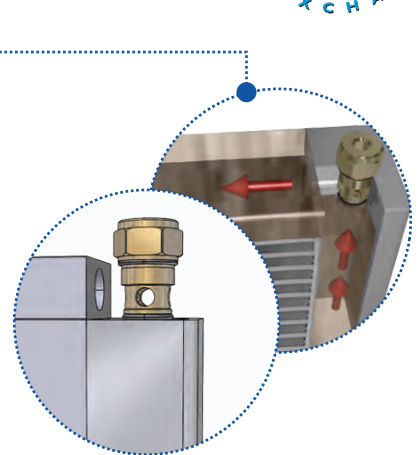


*2000K & KBV SERIES*



*HPV SERIES I*





**Built-in Bypass Valve**



**Heavy Duty Construction**



## Oil Connections

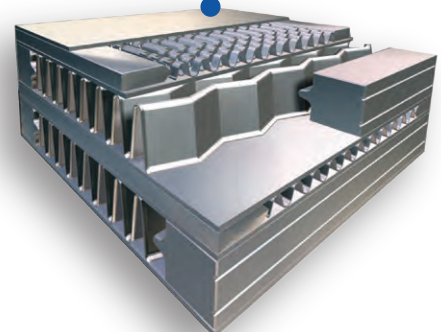
EMMEGI oil coolers are stocked with BSP Parallel thread oil connections. This allows us to draw inventory from our other Worldwide locations as needed. Product shipped from our US facility include SAE J514 37° flare adaptors. Both straight and 90° fittings are standard. A wide selection of optional types and sizes are available.

## Bar & Plate Technology

Aluminum Bar & Plate construction is the most advanced heavy duty technology available today. This design has several significant features:

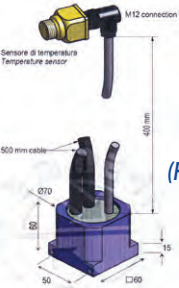
- > **Compact Performance:** Up to 50% smaller than traditional fin & tube construction.
- > **Rugged Construction:** 1/4" Thick bars protect the fluid channels from damage.
- > **Serviceable:** Bars extend to fin edges allowing high pressure washing.
- > **Non-Louvered Air Fins :** Low fouling (9 Fins / inch).

Ultra-low fouling air fins optional (5 Fins / inch).



# EMMEGI Heat Exchanger Features

## Optional Temperature Fan Controls



## Motor Options

- > High quality, Long life, sealed DC motors.
- > 12 volt and 24 volt motors available.
- > Metri-Pack wiring connections standard.
- > Mating Metri-Pack electrical connector provided.

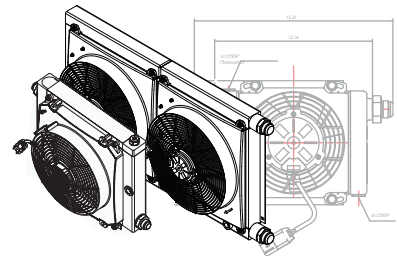


## Sensor Port

Sensors plug directly into a port provided on the cooler for simple "Plug & Play" installation.

## Series Highlight: S & SBV

When combined with the TMR Temperature Switch (integral relay) or the TMS Temperature Control with soft start and automatic reversing (for cooler clean out) the S & SBV series cooler is the best overall value.

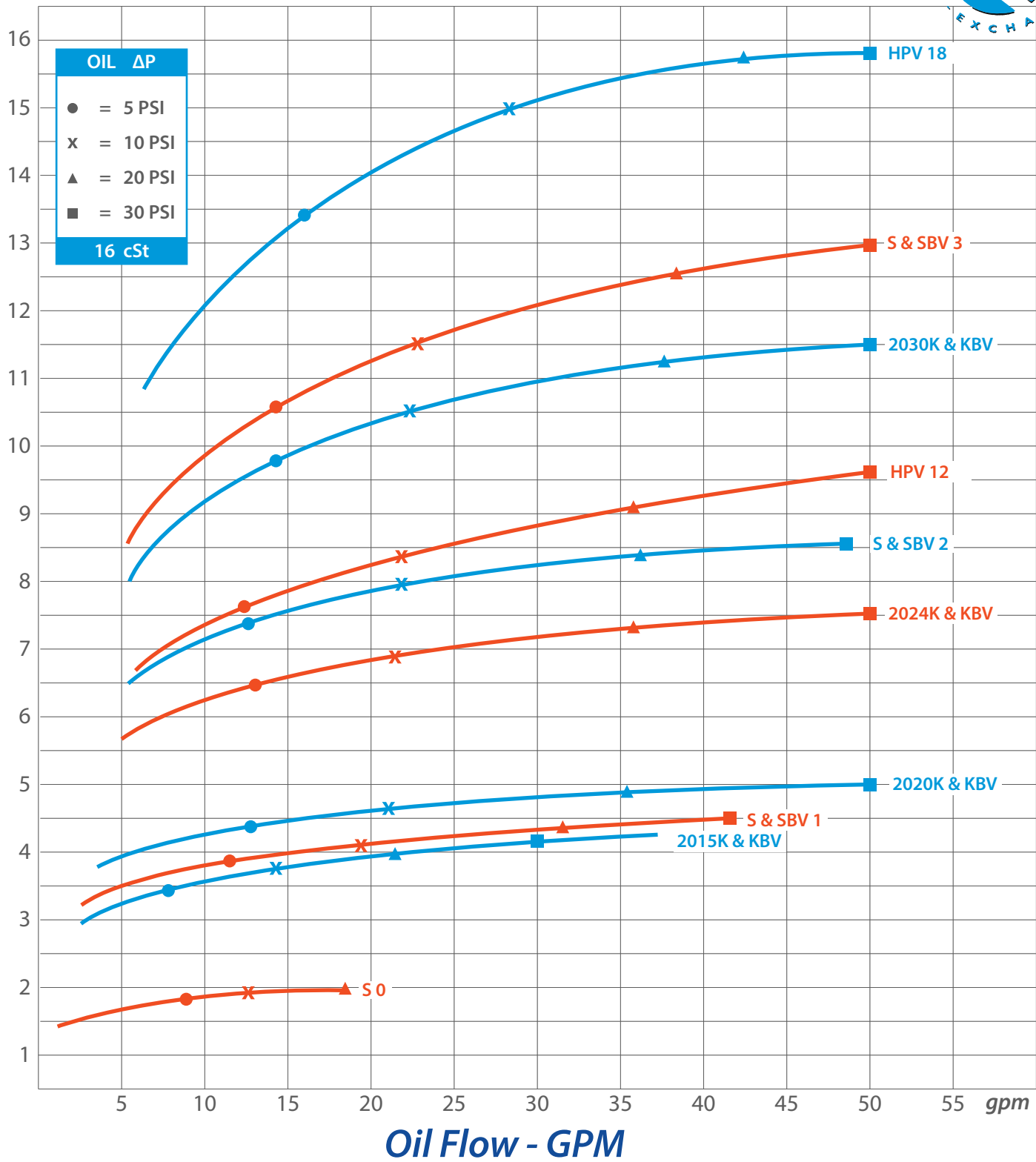


## Custom Designs / Worldwide Support

EMMEGI has Manufacturing facilities and sales support worldwide. In today's global marketplace, EMMEGI can provide seamless support to our Products. With reasonable quantity, product can be designed to specific customer specifications.

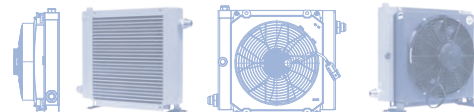


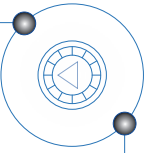
Horsepower Heat Rejection @ 50°F ETD



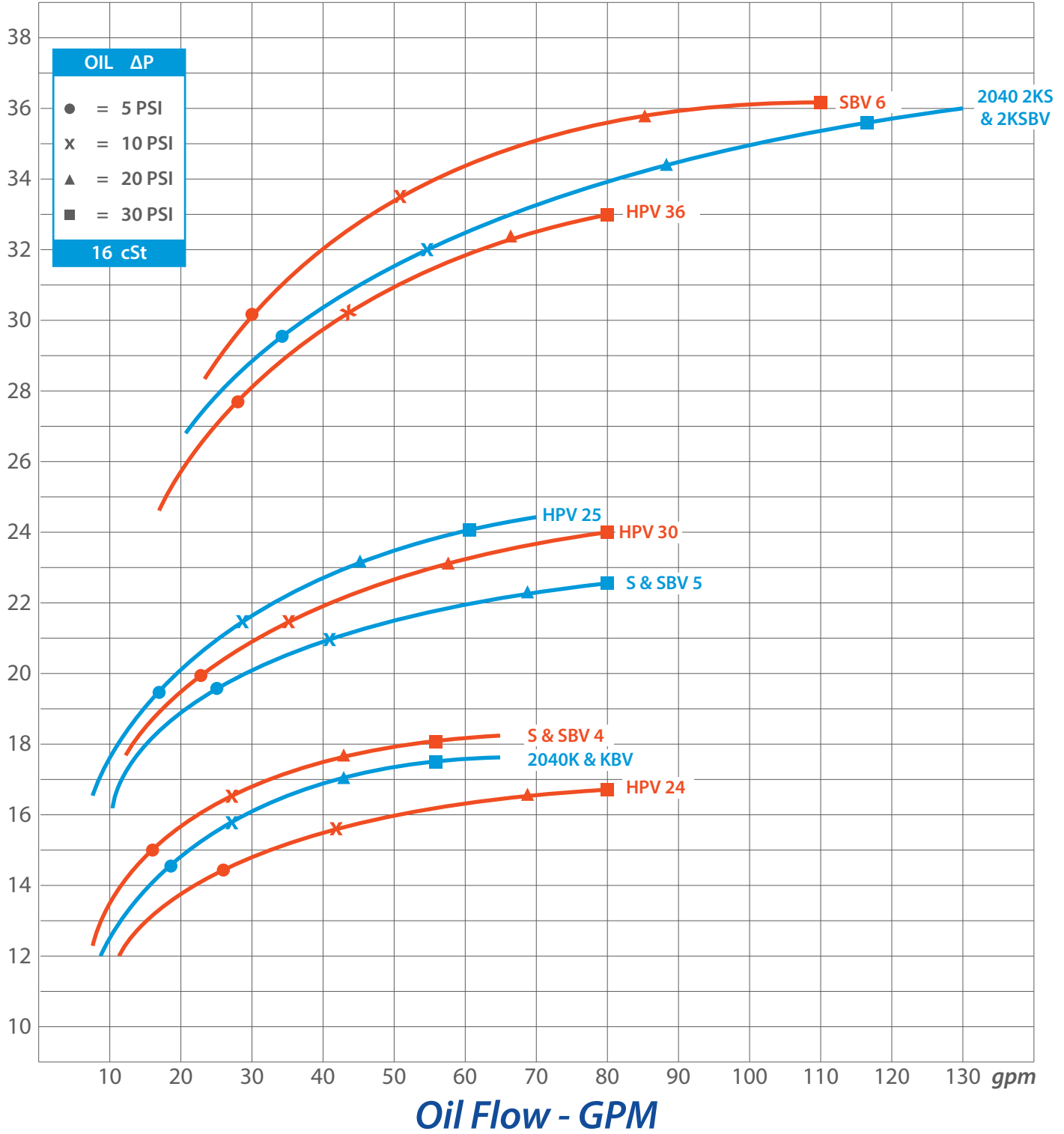
Entering Temperature Difference

$$ETD \text{ } ^\circ\text{F} = \text{Oil Inlet Temperature } ^\circ\text{F} - \text{Air Entering Temperature } ^\circ\text{F}$$





Horsepower Heat Rejection @ 50°F ETD



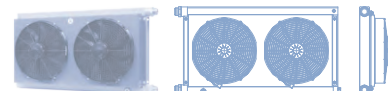
HEAT-EXCHANGERS

Correcting Heat Removal for Cooler Selection from Curve

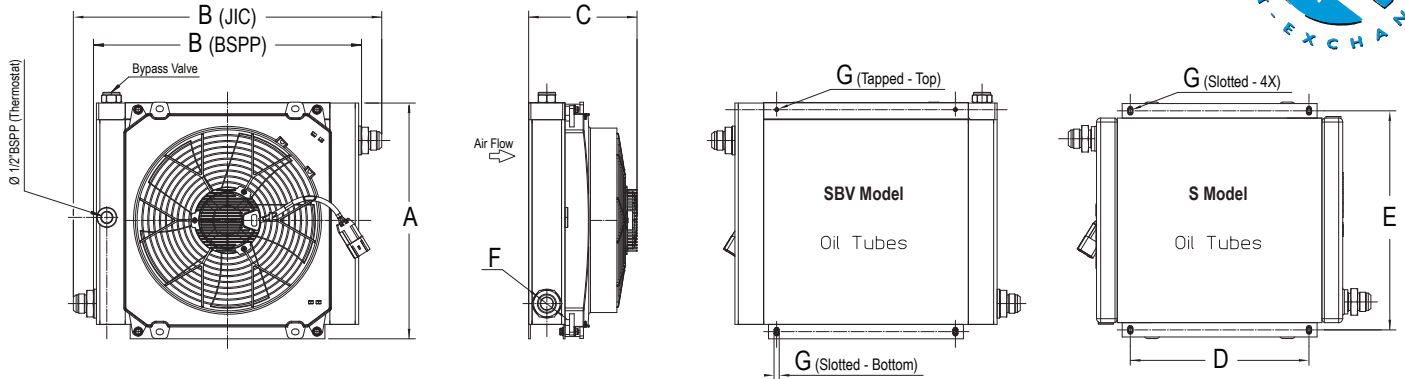
Correcting Curve to Actual Heat Removal

$$\text{Horsepower Heat Load} \times \frac{50^\circ\text{F}}{\text{Desired ETD } ^\circ\text{F}} = \text{Corrected Horsepower Heat Removal for Curve Selection}$$

$$\text{Horsepower (FROM CURVE)} \times \frac{\text{Desired ETD } ^\circ\text{F}}{50^\circ\text{F}} = \text{Corrected Horsepower Heat Removal}$$



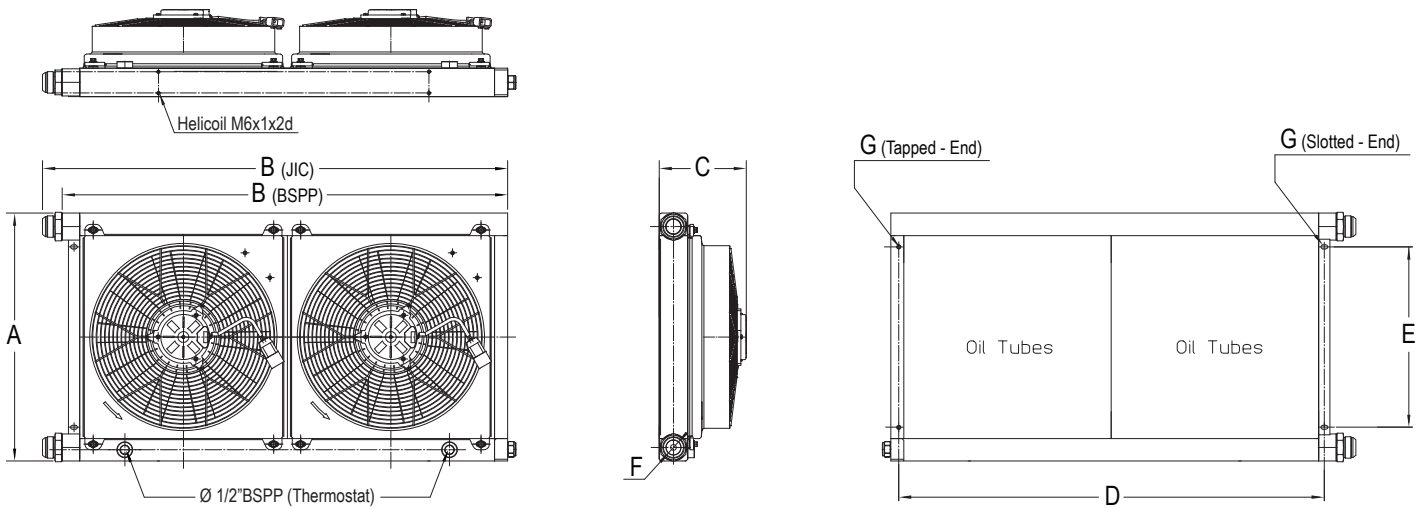
# S & SBV Series Heat Exchangers



MODEL	VOLTAGE	AMP DRAW	UNIT OF MEASURE	OVERALL DIMENSIONS				MOUNTING			CONNECTIONS		G		NET WEIGHT LBS
				A	B		C	D	E		F		S	SBV	
					BSPP	JIC			S	SBV	BSPP	JIC			
S 0	12 DC	4.5	(inch)	8.27	7.16	9.28	3.83	7.75	3.94		0.5" Internal	# 8 External	0.35 x .59 (4) Slotted holes		7
	24 DC	2.3	(mm)	210	182	236	97	197	100						13
S 1	12 DC	8.3	(inch)	9.56	12.16	15.31	5.78	5.91	8.78		1" Internal	# 16 External	0.35 x .70 (4) Slotted holes		20
	24 DC	4.0	(mm)	243	309	389	147	150	223						27
S & SBV 2	12 DC	15.4	(inch)	13.50	15.74	18.90	5.82	9.44	12.40	12.61	1.25" Internal	# 20 External	0.35 x .70 (4) Slotted holes	0.35 x .59 (2) Slotted holes — M6 Helicoil (2) Tapped holes	43
	24 DC	7.7	(mm)	343	400	480	148	240	315	320					54
S & SBV 3	12 DC	20.0	(inch)	16.20	18.30	21.46	7.40	12.20	14.96	15.15	1.25" Internal	# 20 External	0.35 x .59 (4) Slotted holes		54
	24 DC	10.0	(mm)	411	465	545	188	310	380	385					
S & SBV 4	12 DC	20.8	(inch)	20.29	21.65	25.30	7.40	15.74	19.13	18.97	1.25" Internal	# 20 External	0.35 x .59 (4) Slotted holes		54
	24 DC	10.4	(mm)	515	550	643	188	400	486	482					
S & SBV 5	12 DC	26.2	(inch)	20.27	22.44	26.24	8.62	15.74	19.01	20.27	1.25" Internal	# 20 External	0.35 x .59 (4) Slotted holes		54
	24 DC	13.1	(mm)	515	570	666	219	400	483	515					

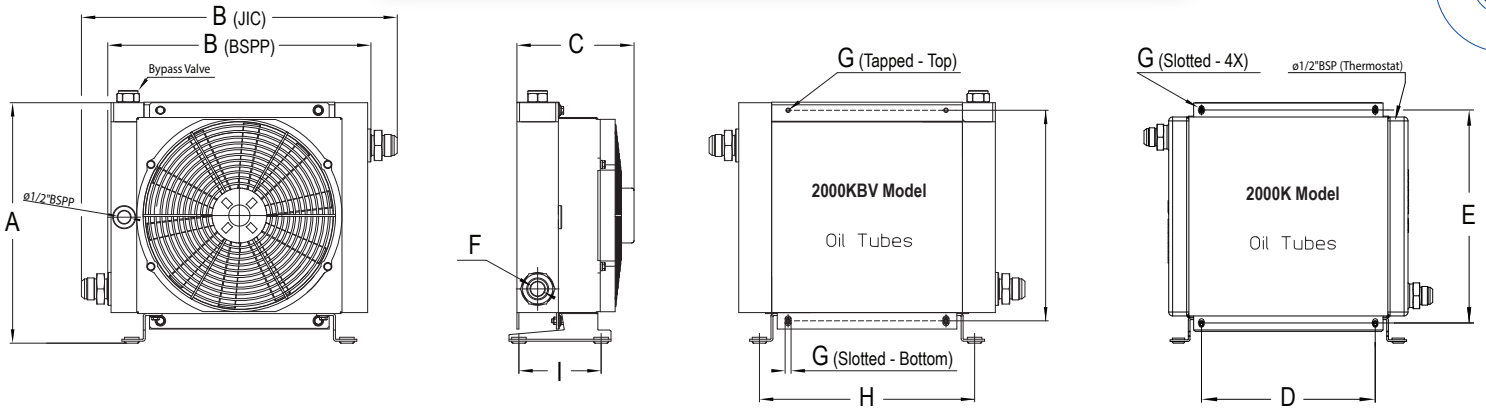
\* SBV dimensions shown unless otherwise noted. Some S models have slightly smaller overall dimensions.

HEAT-EXCHANGERS



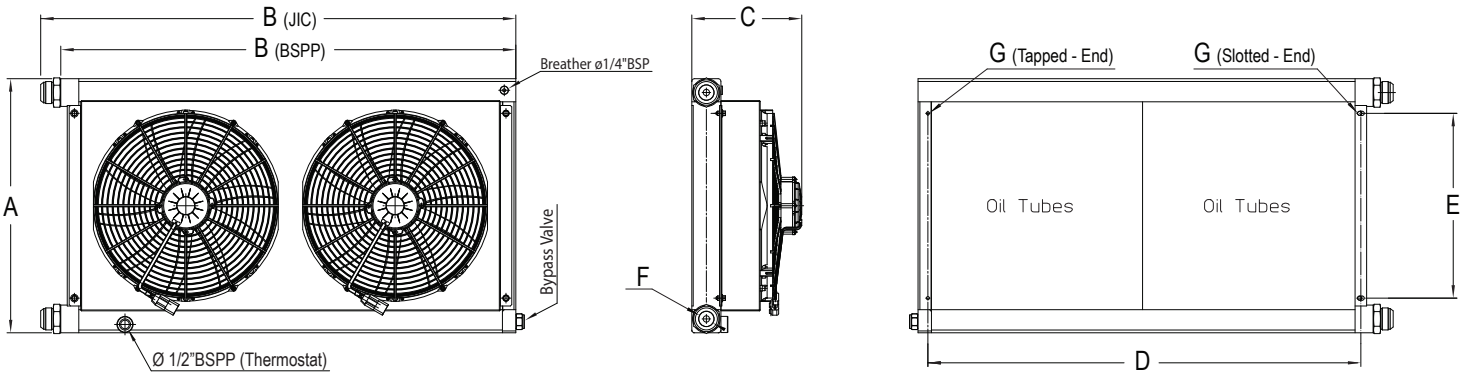
MODEL	VOLTAGE	AMP DRAW	UNIT OF MEASURE	OVERALL DIMENSIONS				MOUNTING			CONNECTIONS		G		NET WEIGHT LBS
				A	B		C	D	E	F		S	SBV		
					JIC	BSPP					BSPP	JIC			
SBV 6	12 DC	20.8 (x2)	(inch)	21.65	40.84	38.94	7.60	37.17	15.75		1.5" Internal	# 24 External	0.35 x .59 (2) Slotted holes	M8 Helicoil (2) Tapped holes	82
	24 DC	10.4 (x2)	(mm)	550	1037	989	193	944	400						

# 2000K & KBV Series Heat Exchangers



MODEL	VOLTAGE	AMP DRAW	UNIT OF MEASURE	OVERALL DIMENSIONS				MOUNTING			CONNECTIONS		G		OPTIONAL MOUNTING FEET		NET WEIGHT LBS																
				A	B		C	D	E		F		K	KBV	H	I																	
					BSPP	JIC			K	KBV	BSPP	JIC																					
2015K & KBV	12 DC	7.5	(inch)	12.12	13.38	16.54	6.82	7.09	10.04	10.2	1\"	Internal	# 16	External	0.35 x .59 (4)	Slotted Holes	M6 Helicoil (2)	Tapped Holes	4.92	10.91	16												
	24 DC	3.8	(mm)	308	340	420	173	180	255	260									125	277													
2020K & KBV	12 DC	7.0	(inch)	12.09	13.38	16.54	6.80	7.09	10.04	10.24							1\"	Internal	# 16	External	0.35 x .59 (4)	Slotted Holes	M6 Helicoil (2)	Tapped Holes	4.92	10.91	18						
	24 DC	3.5	(mm)	307	340	420	173	180	255	260															125	277							
2024K & KBV	12 DC	7.8	(inch)	14.39	15.75	18.90	7.01	9.45	12.41	12.60													1.25\"	Internal	# 20	External	0.35 x .59 (2)	Slotted Holes	M6 Helicoil (2)	Tapped Holes	4.92	12.87	25
	24 DC	3.9	(mm)	366	400	480	178	240	315	320																					125	327	
2030K & KBV	12 DC	12.0	(inch)	16.91	18.31	21.46	8.58	12.20	14.96	15.16	1.25\"	Internal	# 20	External	0.35 x .59 (2)	Slotted Holes													M6 Helicoil (2)	Tapped Holes	4.92	15.43	34
	24 DC	6.0	(mm)	430	465	545	218	310	380	385																					125	392	
2040K & KBV	12 DC	19.5	(inch)	20.98	22.05	25.20	9.37	15.75	19.13	18.98							1.25\"	Internal	# 20	External	0.35 x .59 (2)	Slotted Holes							M6 Helicoil (2)	Tapped Holes	4.92	19.17	48
	24 DC	9.8	(mm)	533	560	640	238	400	486	482																					125	487	

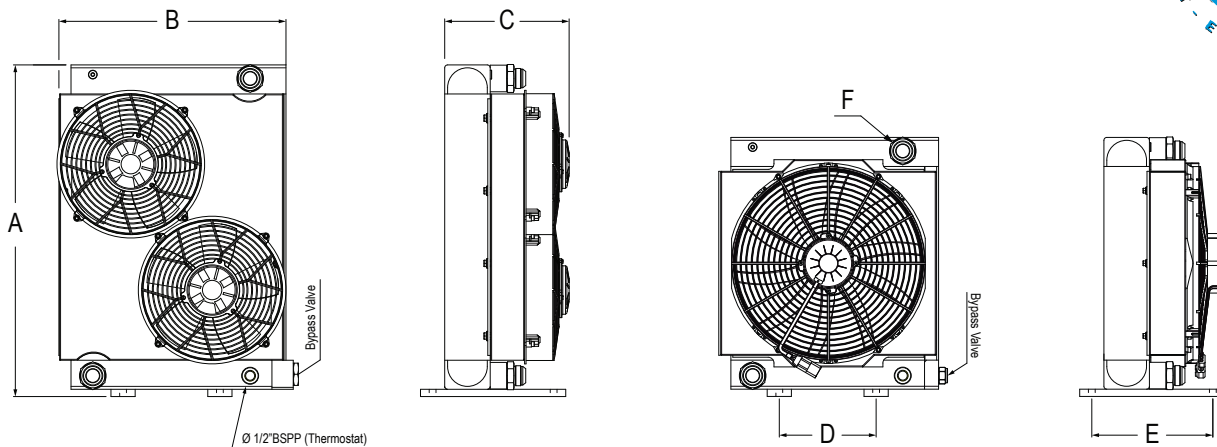
\* 2000KBV dimensions shown unless otherwise noted. Some 2000K models have slightly smaller overall dimensions.



MODEL	VOLTAGE	AMP DRAW	UNIT OF MEASURE	OVERALL DIMENSIONS				MOUNTING			CONNECTIONS		G		OPTIONAL MOUNTING FEET		NET WEIGHT LBS		
				A	B		C	D	E		F		K	KBV	H	I			
					BSPP	JIC			K	KBV	BSPP	JIC							
2040 2KS & 2040 2KSBV	12 DC	19.5 (2x)	(inch)	38.82	40.51	37.24	9.37	36.93	15.75	15.75	1.5\"	Internal	# 24	External	0.35 x .59 (4) Slotted	0.35 x .59 (2) Slotted & M6 Helicoil (2) Tapped	4.92	19.17	93
	24 DC	9.8 (2x)	(mm)	986	1029	946	238	938	400	400							125	487	

HEAT-EXCHANGERS

# HPV Series Heat Exchangers



HEAT-EXCHANGERS

MODEL	VOLTAGE	AMP DRAW	UNIT OF MEASURE	OVERALL DIMENSIONS			MOUNTING		CONNECTIONS		NET WEIGHT LBS				
				A	B	C	D	E	F						
									BSPP	JIC					
HPV 12	12 DC	12.0	(inch)	15.75	14.21	8.90	5.91	7.87	1" Internal	# 16 External	7				
	24 DC	6.0	(mm)	400	361	226	150	200							
HPV 18	12 DC	19.6	(inch)	20.08	17.88	8.98	7.87	7.87			1.25" Internal	# 20 External	13		
	24 DC	9.8	(mm)	510	454	228	200	200							
HPV 24	12 DC	19.8	(inch)	21.06	17.87	10.20	7.87	9.84	1.25" Internal	# 20 External			20		
	24 DC	9.9	(mm)	535	454	259	200	250							
HPV 25	12 DC	19.2	(inch)	25.98	23.62	9.25	15.70	7.08					1.25" Internal	# 20 External	27
	24 DC	11.2	(mm)	660	600	235	400	180							
HPV 30	12 DC	19.8	(inch)	26.00	23.81	9.25	9.84	7.08			1.25" Internal	# 20 External			43
	24 DC	9.9	(mm)	660	605	235	250	180							
HPV 36	12 DC	27.2	(inch)	30.91	24.08	10.20	12.21	9.84	1.25" Internal	# 20 External					54
	24 DC	13.6	(mm)	785	612	259	310	250							





## S & SBV Series Ordering Code

Model	Voltage / Airflow	Temp. Switch (optional)	Oil Connection / Thread Type	Relief Bypass
<b>S3</b> Model Size	<b>12S</b>	<b>3</b> Leave blank for no temp. switch	<b>JE</b>	<b>22</b>
<b>S0 - S5</b> (No Bypass)	<b>12S</b> 12v Suction <b>12B</b> 12v Blowing	<b>TM</b> (External Relay Req.) <b>2</b> TMR45-A1 <b>3</b> TMR46-A1	<b>JE</b> JIC (External Thread) <b>BP</b> BSPP (Internal Thread) <b>JE90</b> JIC 90° (External Thread)	<b>22</b> 22 psi <b>44</b> 44 psi
<b>SBV1 - SBV6</b> (With Bypass)	<b>24S</b> 24v Suction <b>24B</b> 24v Blowing	<b>12 volt w/ Integral Relay</b> <b>24 volt w/ Integral Relay</b> <b>2D</b> TMR45-12 <b>2E</b> TMR45-24 <b>3D</b> TMR46-12 <b>3E</b> TMR46-24		

## 2000K & KBV Series Ordering Code

Model	Voltage / Airflow	Temp. Switch (optional)	Oil Connection / Thread Type	Relief Bypass
<b>2015KBV</b> Model Size	<b>12S</b>	<b>3</b> Leave blank for no temp. switch	<b>JE</b>	<b>22</b> KBV Only
<b>2015K - 2040K</b> (No Bypass)	<b>12S</b> 12v Suction <b>12B</b> 12v Blowing	<b>TM</b> (External Relay Req.) <b>2</b> TMR45-A1 <b>3</b> TMR46-A1	<b>JE</b> JIC (External Thread) <b>BP</b> BSPP (Internal Thread) <b>JE90</b> JIC 90° (External Thread)	<b>22</b> 22 psi <b>44</b> 44 psi
<b>2015KBV - 2040KBV</b> (With Bypass)	<b>24S</b> 24v Suction <b>24B</b> 24v Blowing	<b>12 volt w/ Integral Relay</b> <b>24 volt w/ Integral Relay</b> <b>2D</b> TMR45-12 <b>2E</b> TMR45-24 <b>3D</b> TMR46-12 <b>3E</b> TMR46-24		

## HPV Series I Ordering Code

Model	Voltage / Airflow	Temp. Switch (optional)	Oil Connection / Thread Type	Relief Bypass
<b>HPV 12</b> Model Size	<b>12S</b>	<b>3</b> Leave blank for no temp. switch	<b>JE</b>	<b>22</b>
<b>HPV12 - HPV36</b> (Bypass Standard)	<b>12S</b> 12v Suction <b>12B</b> 12v Blowing <b>24S</b> 24v Suction <b>24B</b> 24v Blowing	<b>TM</b> (External Relay Req.) <b>2</b> TMR45-A1 <b>3</b> TMR46-A1 <b>12 volt w/ Integral Relay</b> <b>24 volt w/ Integral Relay</b> <b>2D</b> TMR45-12 <b>2E</b> TMR45-24 <b>3D</b> TMR46-12 <b>3E</b> TMR46-24	<b>JE</b> JIC (External Thread) <b>BP</b> BSPP (Internal Thread) <b>JE90</b> JIC 90° (External Thread)	<b>22</b> 22 psi <b>44</b> 44 psi

Indicates Standard Selection

## TECHNICAL DATA FOR ALL S/SBV, 2000 K/KBV, & HPV MODELS

### Compatible fluids

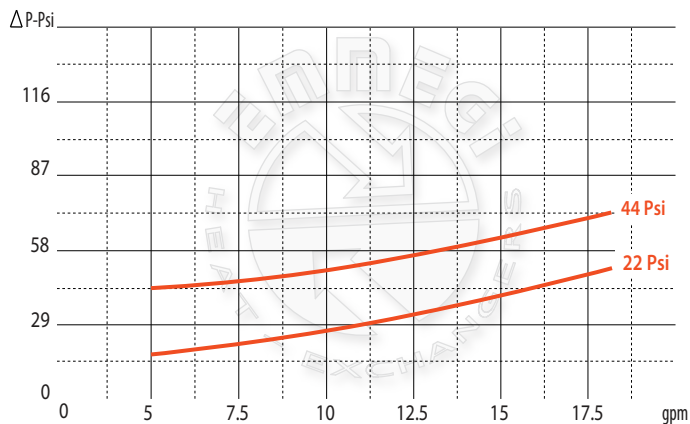
- Mineral Oils : HL & HLP.
- Water - Oil Emulsion.
- Water - Glycol.
- Consult Factory for other fluids.

### Ratings

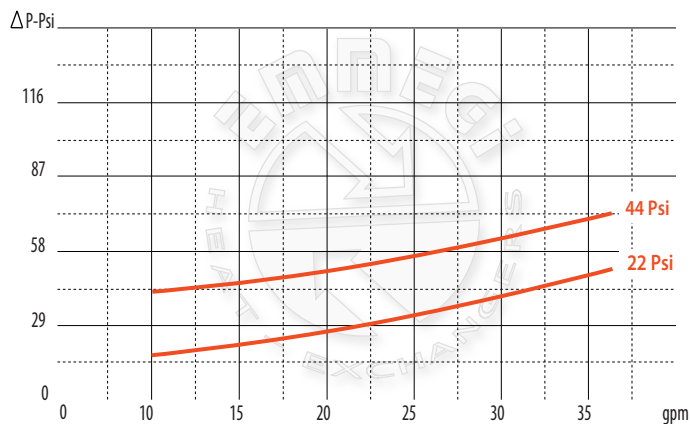
- Operating Pressure : 280 PSI
- Test Pressure: 500 PSI
- Maximum Operating Temperature: 248° F



## Cartridge valve type 2



## Cartridge valve type 3

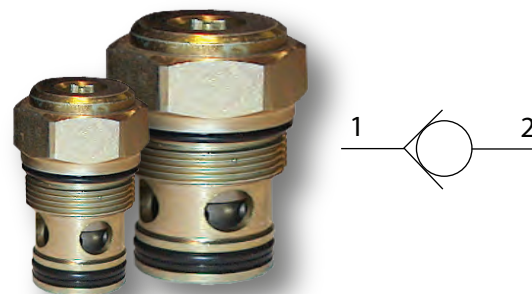


The integrated bypass checkvalve helps protect the hydraulic system and oil cooler from excessive back pressure.

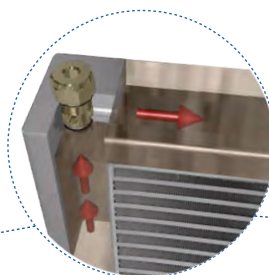
Two primary operating conditions are :

- Cold Weather Start-up
- Intermittent Flow Surges

The fully integrated cartridge style valve eliminates the need to add an external valve and the related fittings and hoses. It may be removed for inspection and service.



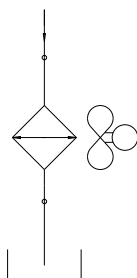
Model	Cartridge valve type
All SBV	2
All 2000KBV	2
HPV 12 - 24	2
HPV 30 - 250	3



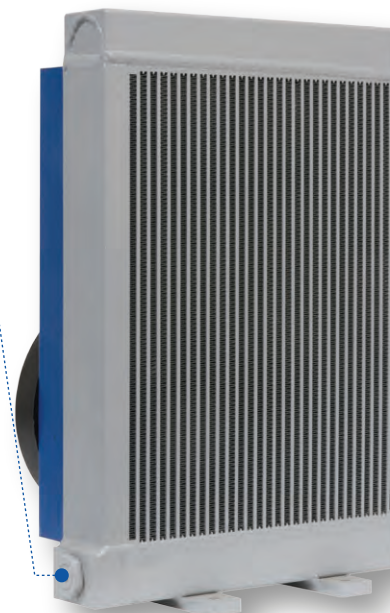
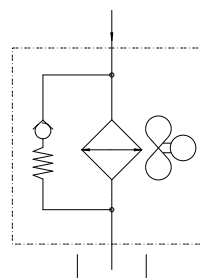
Detail



S & 2000K DC Motor Series Hydraulic circuit



SBV, 2000KBV & HPV DC Motor Series Hydraulic circuit

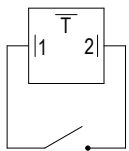
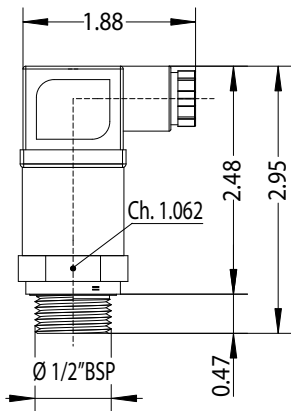


# TM4 - A1 Temperature Control

## Bimetallic Monocontact Thermo-Switch Series TM4 - A1

TM4 - A1 Series close on rise when the fluid temperature exceeds the higher set point ( turning the fan on ) and they re-open at the lower set point ( Turning the fan off ).

The 22° F hysteresis prevents the fan from over-cycling. The top of the switch may be rotated in 90° increments for ease of wiring.



### Technical Data

**Power Supply :** 12v - 24v - 230v  
**Working temperature :** -4°F to 248°F  
**Maximum Pressure :** 2900 PSI  
**Switching Accuracy :** ± 7°F  
**Body Material :** Brass  
**Mounting :** Any Position  
**Weight :** 02.5 oz

### Electrical Data

**Electrical Connections :** Metripack 280  
**Electrical Protection :** DIN 40050 IP65  
**Electrical Contact :** Normally Open  
**Maximum Contact Load :** 12v 10 Amp  
   24v 5 Amp  
   115v 10 Amp  
   230v 15 Amp



Part Number	Temperature Range	Ordering Code (for cooler code)
TM 44 - A1	104 - 82°F	1
TM 45 - A1	122 - 100°F	2
TM 46 - A1	140 - 118°F	3
TM 47 - A1	158 - 136°F	4
TM 48 - A1	176 - 154°F	5
TM 49 - A1	194 - 172°F	6

Normally closed switches are available: Consult factory.

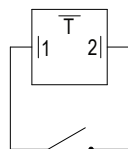
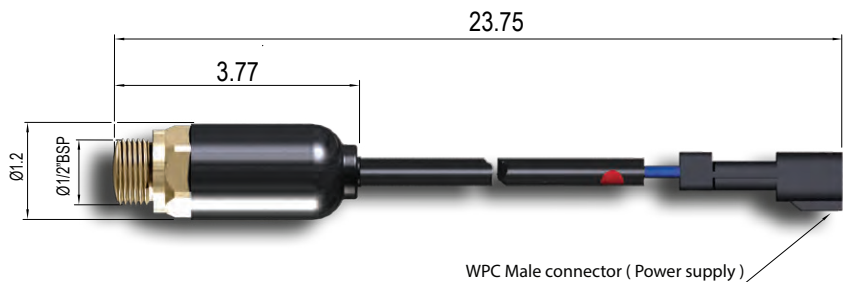
# TM4 - P1 Pre-Wired Temperature Switch

## Bimetallic Monocontact Thermo-Switch Series TM4 - P1

The TM4 - P1 series allows the closing of an electrical contact when the fluid temperature exceeds the set-point value of the thermostatic switch.

### Technical Data

**Power Supply :** 12v - 24v  
**Working temperature :** -4°F to 248°F  
**Maximum Pressure :** 2900 PSI  
**Fixed Hysteresis Value :** About 22°F  
**Switching Accuracy :** ± 7°F  
**Power Supply Cord Length :** 23.75"  
**Body Material :** Brass  
**Mounting :** Any Position  
**Weight :** 2.8 oz



### Electrical Data

**Electrical Connections :** Metripack 280  
**Positive :** (A) Brown Wire  
**Negative :** (B) Blue Wire  
**Electrical Protection :** IP 67  
**Electrical Contact :** Normally Open  
**Maximum Contact Load :** 12v - 24v 8 Amp

Part Number	Temperature Range	Ordering Code (for cooler code)
TM45 - P1	122°F - 100°F	2B
TM46 - P1	140°F - 118°F	3B

Other Temperature settings Available. Consult Factory

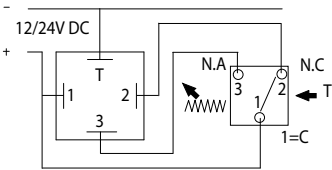
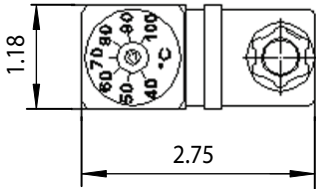
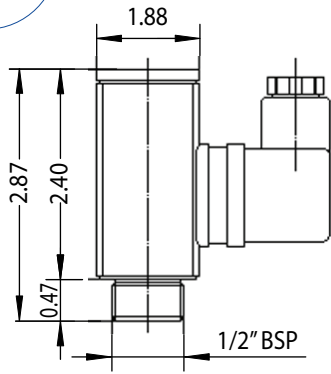
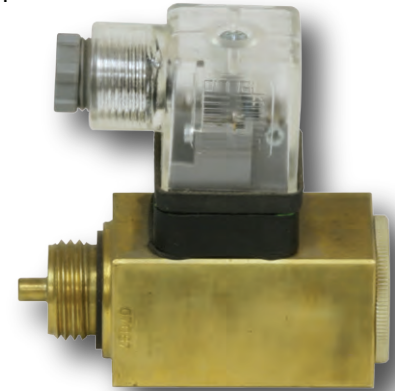
HEAT-EXCHANGERS

# XT51 Adjustable Temperature Switch



The XT51 temperature switch closes on rise when the fluid temperature exceeds the set-point value of the switch.

The working temperature can be adjusted by moving the centigrade scale which is located below the waterproof protected cover.



## Technical Data

- Power Supply : 12v - 24v
- Temperature Range : 104°F to 194°F
- Working temperature : -4°F to 248°F
- Maximum Pressure : 1450 PSI
- Switching Accuracy :  $\pm 3^\circ\text{F}$
- Body Material : Brass
- Mounting : Any Position
- Weight : 0.4 lbs

## Electrical Data

- Electrical Connections : DIN 43650
- Electrical Protection : DIN 40050 IP65
- Electrical Contact : Normally Open
- Maximum Contact Load : 1.4 Amp

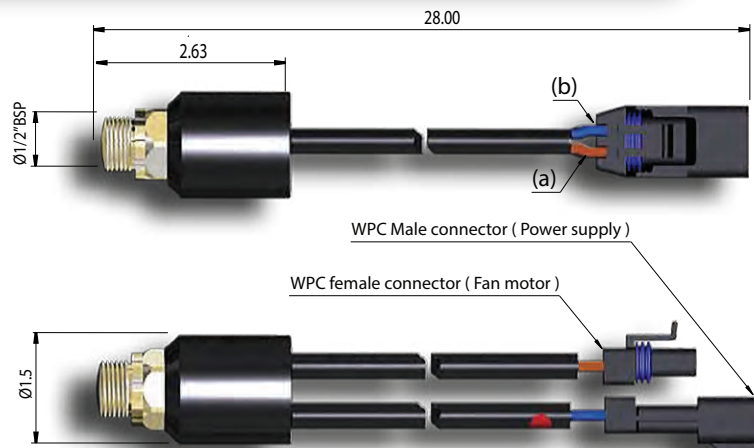
Part Number	Temperature Range	Ordering Code (for cooler code)
XT51 - 12	104° - 194°F	9D
XT51 - 24	104° - 194°F	9E

Normally closed switches are available: Consult factory.

# TMR Temperature Switch With Integrated Relay

## Technical Data

- Power Supply : 12v - 24v
- Working temperature : -4°F to 248°F
- Maximum Pressure : 2900 PSI
- Fixed Hysteresis Value : About 22°F
- Switching Accuracy :  $\pm 7^\circ\text{F}$
- Power Supply Cord Length : 28"
- Fan Motor Cord Length : 28"
- Body Material : Brass
- Mounting : Any Position
- Weight : 0.6 lbs



## Electrical Data

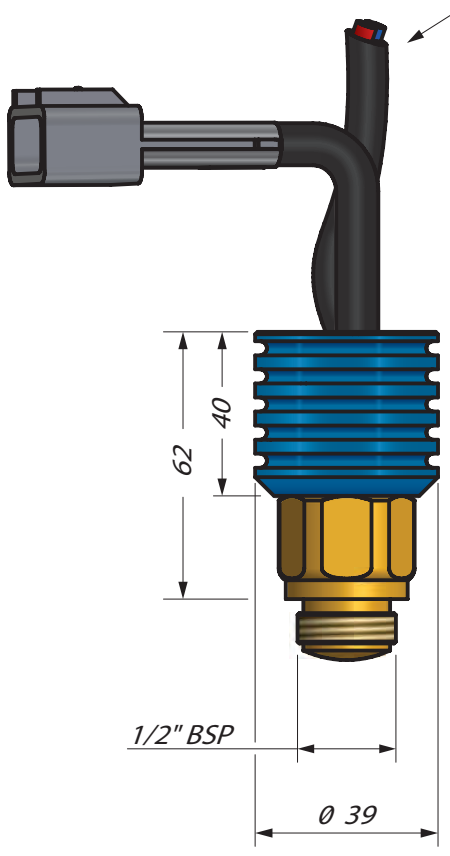
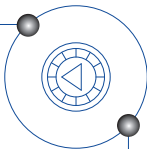
- Electrical Connections : Metripack 280
- Positive : (A) Brown Wire
- Negative : (B) Blue Wire
- Electrical Protection : IP 67
- Electrical Contact : Normally Open
- Approvals : CE
- Maximum Contact Load : TMR 4X 30 Amp  
TMR 5X 40 Amp

The supply includes a longer female connector for the power supply connection

Part Number	Temperature Range	Volts	Ordering Code (for cooler code)	Max Contact Load
TMR 45 - 12	122°F - 104°F	12	2D	30 Amp
TMR 45 - 24	122°F - 104°F	24	2E	
TMR 46 - 12	140°F - 122°F	12	3D	
TMR 46 - 24	140°F - 122°F	24	3E	
TMR 48 - 12	176°F - 154°F	12	5D	
TMR 48 - 24	176°F - 154°F	24	5E	40 Amp
TMR 49 - 24	194°F - 176°F	24	6D	
TMR 55 - 12	122°F - 104°F	12	7D	
TMR 56 - 12	140°F - 122°F	12	8D	

Other Temperature settings Available. Consult Factory

# TMS 4 Temperature Switch with Soft Start



User connection 2x1.5 with 29.5 inch cable and Metric Pack Series 280 female connector

## Bimetallic Monocontact Thermo-Switch series TMS4

The TMS4 Temperature Switches incorporate a soft start feature that eliminates in-rush amp draw during start up. When the temperature setting of the switch is reached, the switch will turn the fan on. It will reach the maximum speed after about 30 seconds. When the temperature decreases by 9°F the fan will turn off.

Part Number	Temperature Setting	Ordering Code (for cooler code)
TMS 44	104°F	7C
TMS 45	122°F	8C
TM4 46	140°F	9C



TMS 4 connected to sensor port as shown on an S3 series cooler

## Technical Data

- Power Supply : 12v - 24v
- Working temperature : -4°F to 176°F
- Maximum Pressure : 2900 PSI
- Fixed Hysteresis Value : About 9°F
- Switching Accuracy : ± 7°F
- Power Supply Cord Length : 58"
- Fan Motor Cord Length : 9.5"
- Body Material : Anodized Aluminium / Brass
- Mounting : Any Position
- Weight : 0.77 lbs

## Electrical Data

- Electrical Connections : Metripack 280
- Positive : (A) Brown Wire
- Negative : (B) Blue Wire
- Electrical Protection : IP 67
- Electrical Contact : Normally Open
- Approvals : CE
- Maximum Contact Load : 12v - 12 Amp  
24v - 25 Amp



**NOTE:** In order to protect the thermostat from polarity reversion it is important to put a fuse in the power line

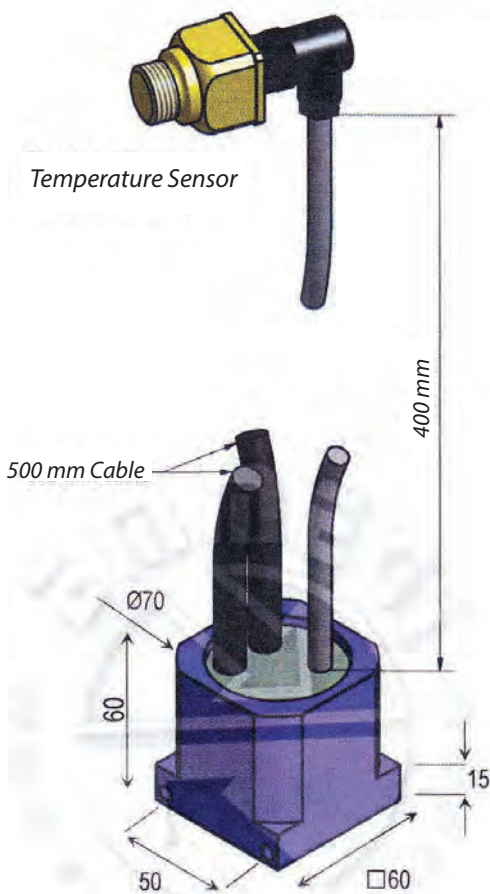
HEAT-EXCHANGERS

# TMS 6 Temperature Switch with Soft Start



## Variable Speed TMS 6 with Soft Start and Automatic Fan Reversing

HEAT-EXCHANGERS



The TMS 6 Temperature Control incorporates soft start, variable speed, and automatic fan reversing features.

### Operation:

- > Fan turns on at lower temperature range setting.
- > Operates at variable speed between the lower and higher temperature range settings.
- > Fan is at maximum RPM at the higher temperature range setting.
- > After 15 minutes of operation the fan stops, reverses for 30 seconds, and re-starts. The cycle time takes 1.5 minutes. Cycling the fan to blowing operation clears airborne debris from the cooler, maintaining optimum performance.

### Technical Data

**Power Supply :** 12v - 24v  
**Working temperature :** -4°F to 176°F  
**Maximum Pressure :** 2900 PSI  
**Switching Accuracy :** ± 3.6°F  
**Power Supply Cord Length :** 19.7"  
**Fan Motor Cord Length :** 19.7"  
**Temperature Sensor Cord Length :** 15.75"  
**Body Material :** Anodized Aluminium  
**Mounting :** Any Position  
**Weight :** 0.55 lbs

### Electrical Data

**Electrical Connections :** Metripack 280  
**Positive :** (A) Brown Wire  
**Negative :** (B) Blue Wire  
**Electrical Protection :** DIN 40050IP 67  
**Electrical Contact :** Normally Open  
**Approvals :** CE  
**Maximum Contact Load :** 25 Amp

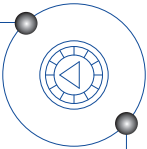


Power Supply & Fan Motor Cords: 19.7 inches

Temperature Sensor Cord: 15.75 inches

Part Number	Temperature Range	Volts	Model Code Feature Adder
TMS 64 - 12	104°F - 122°F	12	7A
TMS 64 - 24	40°C - 50°C	24	7B
TMS 65 - 12	122°F - 140°F	12	8A
TMS 65 - 24	50°C - 60°C	24	8B
TMS 66 - 12	140°F - 158°F	12	9A
TMS 66 - 24	60°C - 70°C	24	9B

# Product Lines



## AC Fan Driven



**2000K & KBV  
AC Motors**  
Heat Removals to 16 HP.  
Optional Internal Bypass Valve.  
Totally Enclosed Motors.  
Oil Flows to 50 GPM.



**HPV Series I  
AC Motors**  
Heat Removals to 70 HP.  
Internal Bypass Valve Standard.  
Totally Enclosed Motors.  
Oil Flows to 100 GPM.



**HPV Series II  
AC Motors**  
Heat Removals to 265 HP.  
Internal Bypass Valve Standard.  
Totally Enclosed Motors.  
Oil Flows to 350 GPM.

## DC Fan Driven



**2000K & KBV  
DC Motors**  
Heat Removals to 35 HP.  
Optional Internal Bypass Valve.  
Oil Flows to 125 GPM.



**HPV Series  
DC Motors**  
Heat Removals to 36 HP.  
Internal Bypass Valve Standard.  
Oil Flows to 80 GPM.



**S & SBV Series  
DC Motors**  
Heat Removals to 38 HP.  
Optional Internal Bypass Valve.  
Oil Flows to 100 GPM.

## Hydraulic Fan Driven



**2000K & KBV  
Hydraulic Motors**  
Heat Removals to 30 HP.  
Optional Internal Bypass Valve.  
Wide range of Hydraulic Motor  
Displacements available.  
Oil Flows to 50 GPM.



**HPV Series I  
Hydraulic Motors**  
Heat Removals to 130 HP.  
Internal Bypass Valve Standard.  
Oil Flows to 100 GPM.



**HPV Series II  
Hydraulic Motors**  
Heat Removals to 300 HP.  
Optional Internal Bypass Valve.  
Oil Flows to 350 GPM.

## Cooling Systems



**Silent Evo II**  
Off-line cooling systems with  
oil cooler & recirculation.  
Pump heat removals to 60 HP.



**RID Series**  
Gearbox cooling systems with oil  
cooler, recirculation pump & filter  
heat removals to 25 HP.



**HPA TK**  
Combination reservoir, oil cooler,  
& suction filter.  
Ideal for closed loop hydrostatic  
cooling.

## Water / Oil



**WB Series  
Water/Oil**  
Stainless steel Water/Oil Coolers.  
Compact water saving design.  
Heat Removals to 360 HP.  
Oil Flows to 200 GPM.



**MG Series  
Water/Oil**  
Sea Water duty shell & tube heat  
exchangers.  
Corrosion resistant copper-nickel  
cooling tubes & bronze end  
bonnets.



**Water Modulating Valves**  
Control water flow through Water/Oil  
heat exchangers to maintain desired  
oil temperatures.  
No external input required.

## Accessories



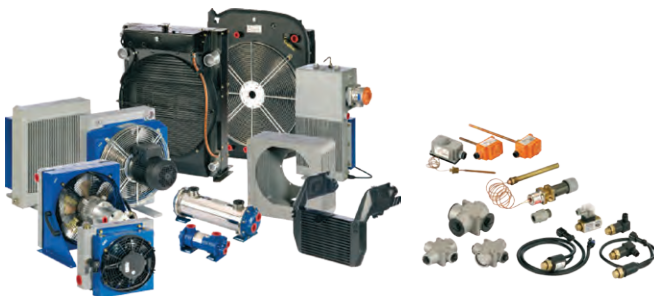
**AC Temperature Switches**  
Cycle cooling fan to maintain desired  
temperatures.  
Fixed & adjustable designs available.



**DC Temperature Switches**  
12v & 24v Models.  
TMR Switches are prewired & include  
relay for plug & play operation.



**Thermostatic Valves**  
Modulating valves bypass oil during  
cold startup.  
#8 through #24 sizes available.



HEAT-EXCHANGERS

## Sales Network



### USA

EMMEGI HEAT EXCHANGERS Inc.

(Main Office and Manufacturing)  
3606 E. Southern Ave. Suite 2  
Phoenix, AZ 85040 USA  
Ph. + 1 602 438 7101  
Fax + 1 602 438 7127  
sales@emmegiinc.com  
<http://www.emmegiinc.com>



### SLOVAKIA

EMMEGI HEAT EXCHANGERS s.r.o.

Ul. M.Razusa 1  
95514 Topolcany  
Ph. + 421 387629212 - Fax + 421  
387629222  
<http://www.emmegi-heat-exchangers.com>  
sro@emmegi-heat-exchangers.com



### SWEDEN / FINLAND

EMMEGI HEAT EXCHANGERS  
NORDIC AB.

Box 1136  
262 22 ANGELHOLM  
Visitors: Nybrovagen 4  
Ph. + 46 (0) 431- 415096  
Fax + 46 (0) 431- 415099  
info.nordic@emmegi-heat-exchangers.com  
<http://www.emmegi-heat-exchangers.com>



### ASIA / PACIFIC

EMMEGI HEAT EXCHANGERS Ltd

Unit 17.9/ F.Corporation Park,  
11 On Lai Street, Siu Lek Yuen,  
Shatin, Hong Kong  
Ph. + 852-26473488- Fax + 852-26032119  
<http://www.emmegi-heat-exchangers.com>  
emmegi@biznetvigator.com



### GERMANY

EMMEGI GmbH

Philipp-Reis-Straße 2  
41516 Grevenbroich-Kapellen  
02182-570 18-0  
02182-570 18-29  
<http://www.emmegi-gmbh.de>  
vertrieb@emmegi-gmbh.de

### INDIA

EMMEGI INDIA Sales Office

B-37, DDA Shed  
Okhla Industrial Area, Phase II  
110020 NEW DELHI  
+91 9810072019  
+91 1141756320  
<http://www.emmegi-heat-exchangers.com>  
varun@emmegi-heat-exchangers.com

### CHINA

EMMEGI HEAT EXCHANGERS

(Beijing) Co.,Ltd.  
Unit 706,7/ F. Building A, China  
Foreign Language Mansion,  
89 West, 3 rd Ring (N) Road,  
Haidian District,Beijing,  
PR.China,Post code: 100089  
Ph. + 86 10 88820971- Fax + 86 10 88820972  
<http://www.emmegi-heat-exchangers.com>  
emmegi@vip.sina.com

### UK

EMMEGI UK

(Sales Office)  
Evergreen, The Reddings  
Cheltenham GL51 6RL  
Ph. + 44 1242700151  
Fax + 44 8707577659  
sales@emmegi.co.uk  
<http://www.emmegi.co.uk>

## Headquarters



### ITALIA

EMMEGI S.p.A.  
Via Newton,52 - Zona Industriale  
20062 Cassano d'Adda (MI) - Italy  
Tel. +39 0363 360236 - Fax + 39 0363 360230  
<http://www.emmegi-heat-exchangers.com>  
info@emmegi-heat-exchangers.com

