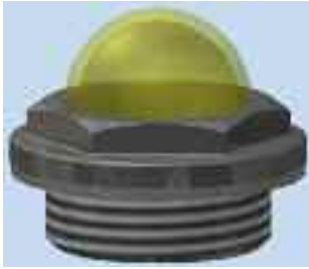
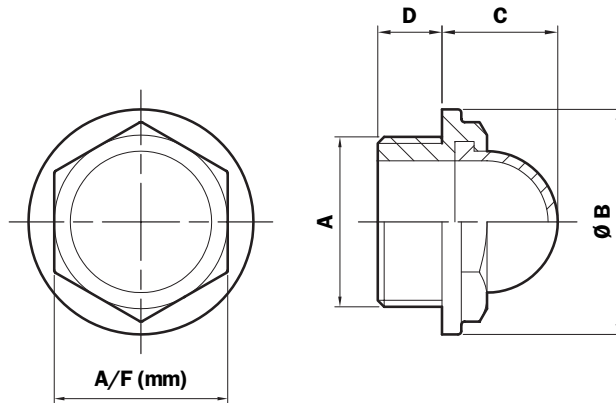


# Series LCC\*\*\*N

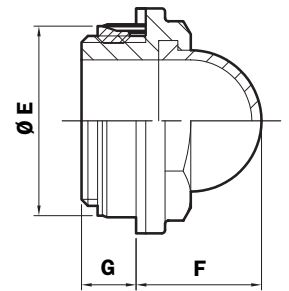
## Dimensions



LCC\*\*\*N\*\*\*S



LCC\*\*\*N\*\*\*K



### LCC\*\*\*N\*\*\*\*\* (Materials)

- 1 - Body: Nylon
- 2 - Lens: Polyamide
- 3 - Contrast screen: Nylon
- 4 - Seals: NBR  
Inorganic fibre
- 5 - Expansion kit: Brass - NBR

### Quantity per pack Number of Parts

LCC/N 25

Size	A	Ø B	C	A/F (mm)	D	Ø E	F	G
G20	G 1/2"	28	15,5	22	9,5	25,5	16,5	8,3
G26	G 3/4"	35	18	27	10	29,5	19,5	8,5
G33	G 1"	42	22	34	12	39	23,5	10,5
G42	G 1 1/4"	52	28	44	13	49	29,5	11,5
G48	G 1 1/2"	58	31	50	13,5	54	32,5	12
G60	G 2"	74	37	64	20	-	-	-

N.B. Seals thickness 2 mm.  
Recommended tightening torque 10 Nm.

### Ø hole for Expansion kit

Size	Diamètre
G20	Ø 26
G26	Ø 30
G33	Ø 40
G42	Ø 50
G48	Ø 55

### Spare parts

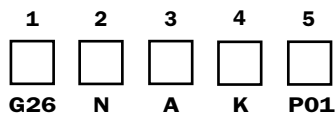
Size	Expansion Kit
G20	G20
G26	G26
G33	G33
G42	G42
G48	G48
-	-

## Ordering information

### Level indicator

LCC\*\*\*N

Example: LCC



### 1 - Size

G20	G 1/2"
G26	G 3/4"
G33	G 1"
G42	G 1 1/4"
G48	G 1 1/2"
G60	G 2"

### 2 - Material

**N** Black nylon

### 3 - Seal

**A** NBR (K only)

**B** Inorganic fibre

### 4 - Expansion kit

**S** Without

**K** Expansion kit

### 5 - Options

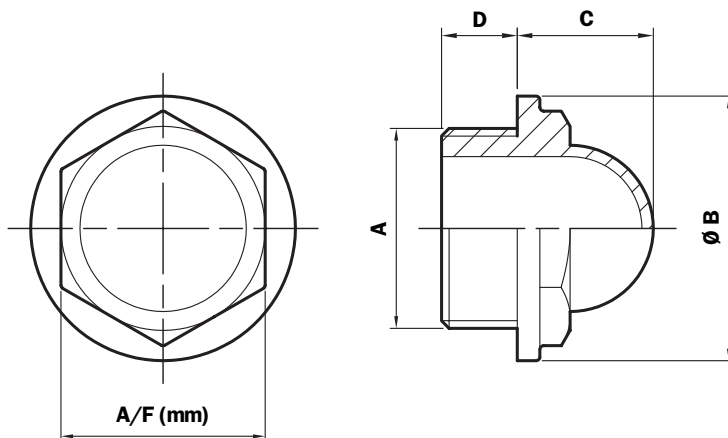
**P01** MP Filtri standard

# Series LCC\*\*\*T

## Dimensions



LCC\*\*\*T\*\*



### LCC\*\*\*T\*\* (Materials)

- 1 - Body: Polyamide
- 2 - Seal: NBR

### Quantity per pack

### Number of Parts

LCC/T 25

Size	A	Ø B	C	A/F (mm)	D
G13	G 1/4"	19	10,5	15	7
G16	G 3/8"	21,7	12	17	7,5
G20	G 1/2"	27	14,5	21	8
G26	G 3/4"	32,8	17	26	9
G33	G 1"	39,8	20,5	32	10

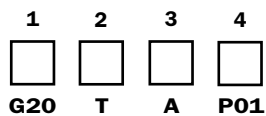
N.B. Seals thickness 2 mm.  
Recommended tightening torque 10 Nm.

## Ordering information

### Level indicator

### LCC\*\*\*T

Example: LCC



### 1 - Size

- G13 G 1/4"
- G16 G 3/8"
- G20 G 1/2"
- G26 G 3/4"
- G33 G 1"

### 3 - Seal

- A NBR

### 4 - Options

- P01 MP Filtri standard

### 2 - Material

- T Polyamide