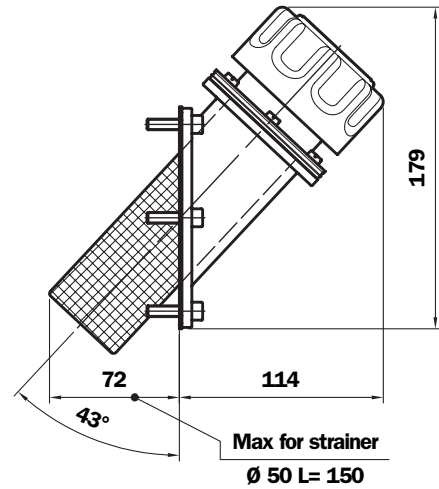


Dimensions



Flow rate with Δp : 0,02 bar

Filtration	l/min
3 μm	450
10 μm	550

Weight

TAL 80 1: 0,710 Kg

For tank hole see "SML 1" page 22.

Ordering information

Filler cap
TAL80

Example: TAL80 **B** **03** **A** **1** **L** **1** **M** **P01**

1 - Filler cap connection

B Flange with bayonet connection

2 - Filter element

00 Without filter (Blank filler cap)

03 3 μm - Impregnated paper

10 10 μm - Polyurethane

3 - Seal

A NBR

B Cork gasket

4 - Pressurisation valve

0 Without

1 0,3 bar pressurisation valve

2 0,7 bar pressurisation valve

9 Anti-splash feature
(only with filter element 3 μm)

Only with seal NBR

5 - Variants

0 Standard

L With Padlock tab

6 - Basket

0 Without

1 L= 80 mm

7 - Connection to reservoir

M Fixing with Metric screws

U Fixing with UNC screws

8 - Options

P01 MP Filtri standard

Series TAL 90

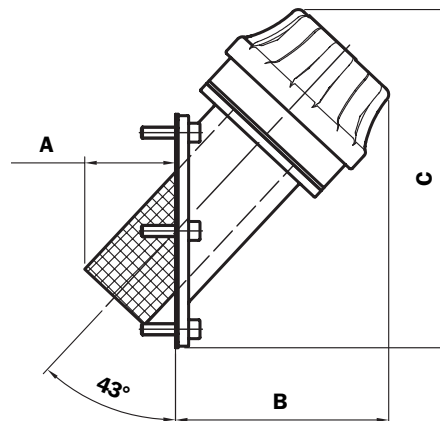
Nylon oil filler and air breather filler caps

Dimensions

TAL 90 ...



TAL 90 B - R - F



Flow rate with Δp : 0,02 bar

Filtration	l/min
3 μ m	450
10 μ m	550

Weight

TAL 90: 0,560 Kg

Type	A	B	C
TAL90 B - R	48	113	179
TAL90 F	56	105	171

For tank hole see "SMF 1" page 18.

Ordering information

Filler cap	1	2	3	4	5	6	7	8
TAL90	<input type="checkbox"/>	<input type="checkbox"/>	<input type="checkbox"/>	<input type="checkbox"/>	<input type="checkbox"/>	<input type="checkbox"/>	<input type="checkbox"/>	<input type="checkbox"/>
Example: TAL90	B	03	A	1	L	1	M	P01

1 - Filler cap Connection

B	Flange with bayonet connection
F	Flange with threaded connection M52x2 Spigot \varnothing 60 (DIN 24557)
R	Flange with threaded connection M52x2

2 - Filter element

00	Without filter (Blank filler cap)
03	3 μ m - Impregnated paper
10	10 μ m - Polyurethane

3 - Seal

A	NBR
----------	-----

4 - Pressurisation valve

0	Without
1	0,3 bar pressurisation valve
2	0,7 bar pressurisation valve

5 - Variants

0	Standard
L	With Padlock tab
C	With Chain external for connection B With Chain internal for connection F-R (with basket only)
D	With Padlock tab and chain external for connection B With Padlock tab and chain internal for connection F-R (with basket only)

6 - Basket

0	Without
1	L= 120 mm

7 - Connection to reservoir

M	Fixing with Metric screws
U	Fixing with UNC screws

8 - Options

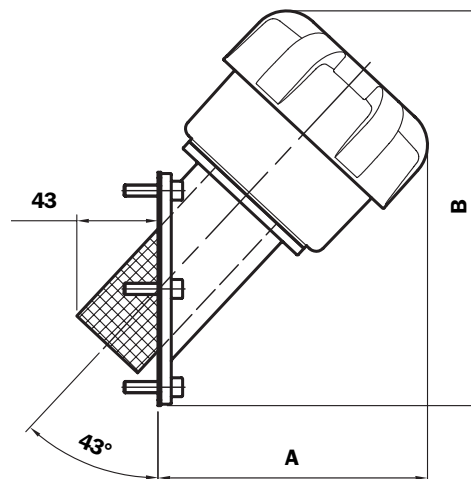
P01	MP Filtri standard
------------	--------------------

Dimensions

TAL 115 1 F



TAL 115



Flow rate with Δp : 0,02 bar

Length 1

Filtration	l/min
3 μ m	1600
10 μ m	2000

Weight

TAL 115 1: 0,840 Kg

Length 2

Filtration	l/min
3 μ m	2150
10 μ m	2150

Weight

TAL 115 2: 0,965 Kg

Length	A	B
1	143	209
2	187	257

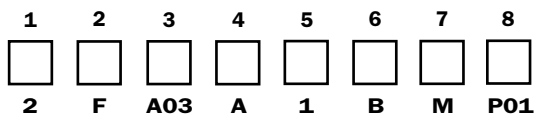
For tank hole see "SML 1" page 22.

Ordering information

Filler cap

TAL115

Example: TAL115



1 - Filler cap length

- 1
- 2

2 - Connection

- F Flange

3 - Filter element

- A03 3 μ m - Microfibre
- L10 10 μ m - Impregnated paper

4 - Seal

- A NBR
- V FPM

5 - Basket

- 0 Without
- 1 L= 120 mm

6 - Clogging indicator

- A Without
- B Clogging indicator

7 - Connection to reservoir

- M Fixing with Metric screws
- U Fixing with UNC screws

8 - Options

- P01 MP Filtri standard